

Service  
Service  
**Service**



# Service Manual

TABLE OF CONTENTS	Page
. Technical Specification.....	1-2
. Safely Instruction.....	2-1
. QSG Instruction.....	3-1
. Mechanical and Dismantling Instruction.....	4-1
. Trouble Shooting.....	5-1
. SW check & upgrade, Region code change.....	6-1
. Block diagram / Wiring diagram.....	7-1
. Electrical diagram.....	8-1
. PCBA Print-layout.....	9-1
. Exploded view diagram and partlist.....	10-1
. Revision list.....	11-1

©Copyright 2005 Philips Consumer Electronics B.V. Eindhoven, The Netherlands All rights reserved. No part of this publication may be reproduced, stored in a retrieval system or transmitted, in any form or by any means, electronic, mechanical, photocopying, or otherwise without the prior permission of Philips



## PET717/93 TECHNICAL SPECIFICATION

### General

Dimensions (W x H x D):	199 x158.5 x40 mm
Bear Unit Weight	0.79kg +/-5%
Power supply:	
Supply voltage	AC100-240V+/-10%
(AC adapter 90-264)	
Supply Power consumption	<15W
(AC adaptor 100/240VAC)	
DC Power supply	DC 7-15.7V
Standby Power	<0.5W
(AC adapter, no load) 164VAC	
Audio System	
Output voltage:1KHZ	2+/-0.2V
THD 20-20KHZ (%)	<1=0.1%
Dynamic range 1KHZ	>1=80dB
Signal/Noise:ratio	>1=85dB
Frequency respõne	+/-3dB
(20Hz-20Khz)	
Channel Separation 1KHZ	>1=80dB
Channel Balance 1KHZ	<1=1.5dB

Playback disc type:: DVD-Video, DVD+R/RW, DVD-R/RW, Super VCD, Video CD, DivX4.X-5.X, Audio CD, MP3 CD, JPEG CD, Kodak Picture CD

Video Playback Format: DVD / VCD / SVCD / CD / JPEG

Disc Diamete 8cm/12cm

### Pixel specification

Max.1 bright-dot & max. 3 dark-dots

### Current consumption

Playback time	≥2.5hrs
Battery Capacity – Lithium-ion 7.4V	≥1500mAH
Discharge cut-off voltage(3.0 V for single cell)	5.8-6V
Battery discharge cut-off current	<1=50uA
Battery Charge voltage(1.2V for single cell)	<1=8.4V
Charging time	<4hrs

### Headphone out (headphone output load 2x16 ohm)

Maximum output power:	<1=15mW
Frequency response:	+/-3dB
SNR (A-wght):	>1=70 dB(20Hz,20kHZ)
THD (0.2-20Khz):	1.5%
Dynamic range 1Khz	>1=65dB
Lefe-Right Channel	>1=55dB
Separation:	>1=50 dB
Left-Right Channel	<1=2 dB
Banlance:	

### Supported disc type

Video Playback  
Fornats:



Audio Playback  
Fornats:



## 2.0 SAFETY INSTRUCTIONS

**(GB) WARNING**

All ICs and many other semi-conductors are susceptible to electrostatic discharges (ESD). Careless handling during repair can reduce life drastically.  
When repairing, make sure that you are connected with the same potential as the mass of the set via a wrist wrap with resistance. Keep components and tools also at this potential.

**ESD****(NL) WAARSCHUWING**

Alle IC's en vele andere halfgeleiders zijn gevoelig voor electrostatische ontladingen (ESD).  
Onzorgvuldig behandelen tijdens reparatie kan de levensduur drastisch doen verminderen. Zorg ervoor dat u tijdens reparatie via een polsband met weerstand verbonden bent met hetzelfde potentiaal als de massa van het apparaat.  
Houd componenten en hulpmiddelen ook op ditzelfde potentiaal.

**(F) ATTENTION**

Tous les IC et beaucoup d'autres semi-conducteurs sont sensibles aux décharges statiques (ESD).  
Leur longévité pourrait être considérablement écourtée par le fait qu'aucune précaution n'est prise à leur manipulation.  
Lors de réparations, s'assurer de bien être relié au même potentiel que la masse de l'appareil et enfiler le bracelet serti d'une résistance de sécurité.  
Veiller à ce que les composants ainsi que les outils que l'on utilise soient également à ce potentiel.

**(D) WARNUNG**

Alle ICs und viele andere Halbleiter sind empfindlich gegenüber elektrostatischen Entladungen (ESD).  
Unsorgfältige Behandlung im Reparaturfall kann die Lebensdauer drastisch reduzieren.  
Veranlassen Sie, dass Sie im Reparaturfall über ein Pulsarmband mit Widerstand verbunden sind mit dem gleichen Potential wie die Masse des Gerätes.  
Bauteile und Hilfsmittel auch auf dieses gleiche Potential halten.

**(I) AVVERTIMENTO**

Tutti IC e parecchi semi-conduttori sono sensibili alle scariche statiche (ESD).  
La loro longevità potrebbe essere fortemente ridotta in caso di non osservazione della più grande cauzione alla loro manipolazione.  
Durante le riparazioni occorre quindi essere collegato allo stesso potenziale che quello della massa dell'apparecchio tramite un braccialetto a resistenza.  
Assicurarsi che i componenti e anche gli utensili con quali si lavora siano anche a questo potenziale.

**(GB)**

Safety regulations require that the set be restored to its original condition and that parts which are identical with those specified, be used.

"Pour votre sécurité, ces documents doivent être utilisés par des spécialistes agréés, seuls habilités à réparer votre appareil en panne".

**(NL)**

Veiligheidsbepalingen vereisen, dat het apparaat bij reparatie in zijn oorspronkelijke toestand wordt teruggebracht en dat onderdelen, identiek aan de gespecificeerde, worden toegepast.

**(F)**

Les normes de sécurité exigent que l'appareil soit remis à l'état d'origine et que soient utilisés les pièces de rechange identiques à celles spécifiées.

**(GB) Warning !**

Invisible laser radiation when open.  
Avoid direct exposure to beam.

**(D)**

Bei jeder Reparatur sind die geltenden Sicherheitsvorschriften zu beachten. Der Originalzustand des Geräts darf nicht verändert werden; für Reparaturen sind Original-Ersatzteile zu verwenden.

**(S) Varning !**

Osynlig laserstrålning när apparaten är öppnad och spårren är urkopplad. Betrakta ej strålen.

**(I)**

Le norme di sicurezza esigono che l'apparecchio venga rimesso nelle condizioni originali e che siano utilizzati i pezzi di ricambio identici a quelli specificati.

**(SF) Varoitus !**

Avatussa laitteessa ja suojalukituksen ohitettaessa olet alltiina näkymättömälle laserisäteilylle. Älä katso säteeseen!

**(DK) Advarsel !**

Usynlig laserstrålning ved åbning når sikkerhedsafbrydere er ude af funktion. Undgå udsættelse for strålning.

"After servicing and before returning set to customer perform a leakage current measurement test from all exposed metal parts to earth ground to assure no shock hazard exist. The leakage current must not exceed 0.5mA."

## 2.1 ESD PROTECTION

- レンズには絶対に触れないでください。
- DO NOT TOUCH THE LENS.
- LINSE NICHT BRÜHREN.
- NE PAS TOUCHER LA LENTILLE.

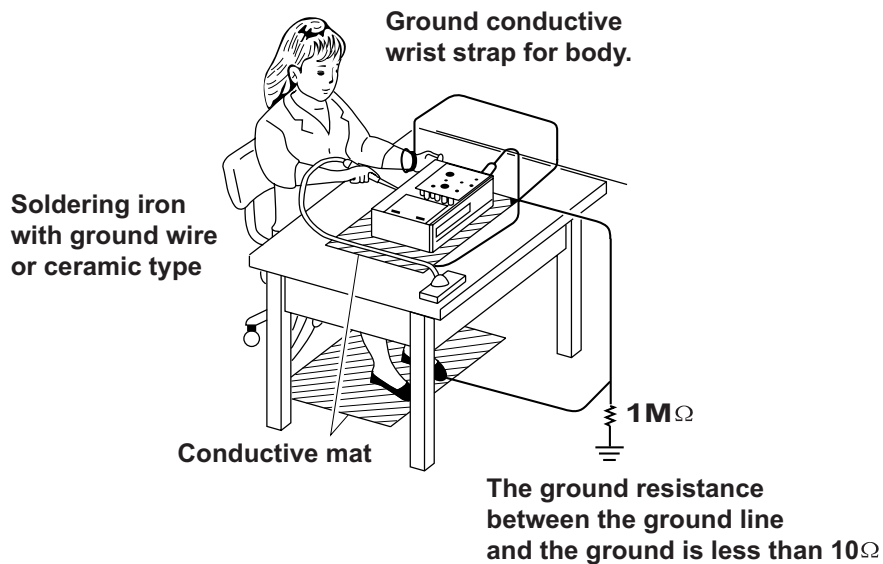
When the power supply is being turned on, you may not remove this laser cautions label. If it removes, radiation of laser may be received.

### PREPARATION OF SERVICING

Pickup Head consists of a laser diode that is very susceptible to external static electrocity.

Although it operates properly after replacement, if it was subject to electrostatic discharge during replacement, its life might be shortened. When replacing, use a conductive mat, soldering iron with ground wire, etc. to protect the laser diode form damage by static electricity.

And also, the LSI and IC are same as above.



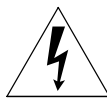
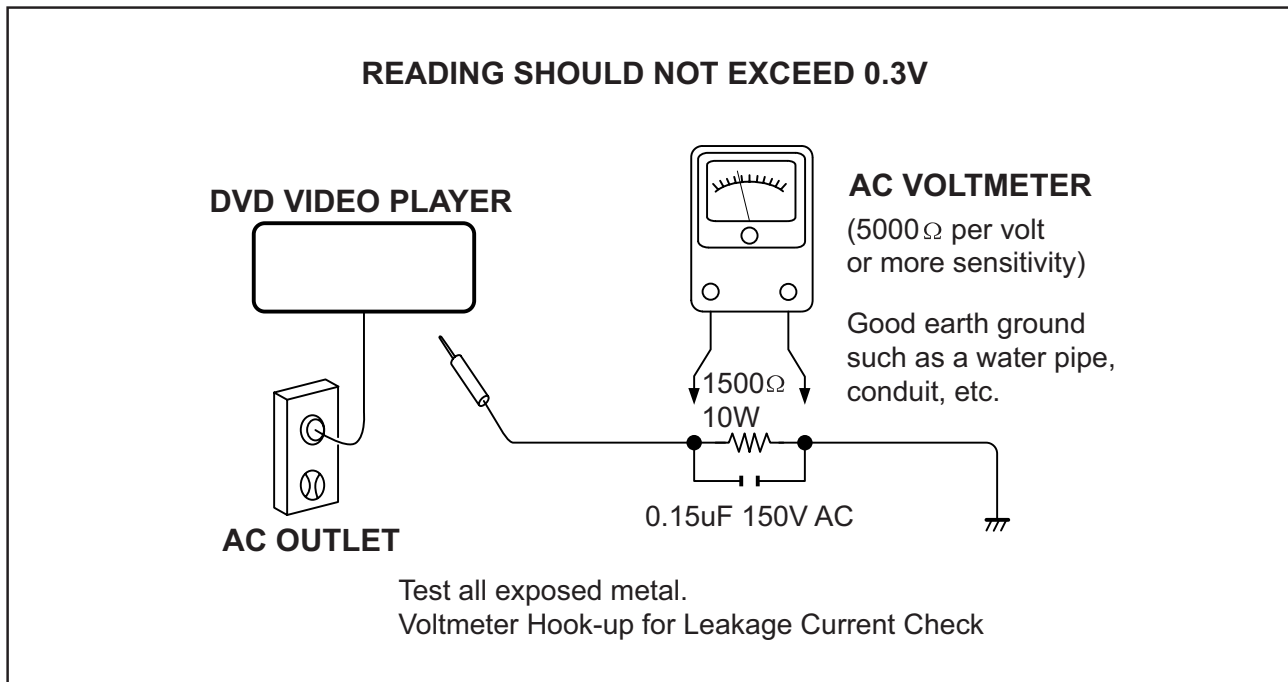
## SAFTY NOTICE

### SAFTY PRECAUTIONS

#### LEAKAGE CURRENT CHECK

Plug the AC line cord directly into a 120V AC outlet (do not use an isolation transformer for this check). Use an AC voltmeter, having  $5000\Omega$  per volt or more sensitivity. Connect a  $1500\Omega$  10W resistor, paralleled by a  $0.15\mu\text{F}$  150V AC capacitor between a known good earth ground (water pipe, conduit, etc.) and all exposed metal parts of cabinet (antennas, handle bracket, metal cabinet screwheads, metal overlays, control shafts, etc.).

Measure the AC voltage across the  $1500\Omega$  resistor. The test must be conducted with the AC switch on and then repeated with the AC switch off. The AC voltage indicated by the meter may not exceed 0.3V. A reading exceeding 0.3V indicates that a dangerous potential exists, the fault must be located and corrected. Repeat the above test with the DVD VIDEO PLAYER power plug reversed. NEVER RETURN A DVD VIDEO PLAYER TO THE CUSTOMER WITHOUT TAKING NECESSARY CORRECTIVE ACTION.



The lightning flash with arrowhead symbol, within an equilateral triangle, is intended to alert the user to the presence of uninsulated "dangerous voltage" within the product's enclosure that may be of sufficient magnitude to constitute a risk of electric shock to persons.



The exclamation point within an equilateral triangle is intended to alert the user to the presence of important operating and maintenance (servicing) instructions in the literature accompanying the appliance.

### **Battery Handling Guideline**

Since the battery is packed in soft package, to ensure its better performance, it's very important to carefully handle the battery

#### 2.2.1 Soft Aluminium foil

The soft aluminum packing foil is very easily damaged by sharp edge parts such as Ni-tabs, pins and needles.

- Don't strike battery with any sharp edge parts
- Trim your nail or wear glove before taking battery
- Clean worktable to make sure no any sharp particle



#### 2.2.2 Sealed edge

Sealing edge is very flimsy

- Don't bend or fold sealing edge



#### 2.2.3 Folding edge

The folding edge is form in battery process and passed all hermetic test.

- Don't open or deform folding edge



#### 2.2.4 Tabs

The battery tabs are not so stubborn especially for aluminum tab.

- Don't bend tab



#### 2.2.5 Mechanical shock

- Don't Fall, hit, bend battery body



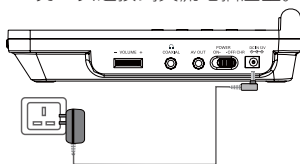
#### 2.2.6 Short

Short terminals of battery is strictly prohibited, it may damage battery.

# 快速入门指南

## 1 给内置电池充电

- 1 将 **POWER ON / OFF/CHR** 选择滑块调到 **OFF/CHR** 的位置。
- 2 将随附的交流适配器连接到DVD播放机的 **DC IN 12V** 插槽，另一头连接到交流电插座上。



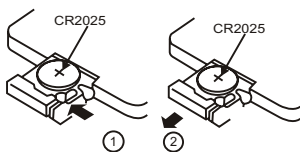
- ✓ 红色充电指示灯将亮起。电池充满电大约需要 4 小时。
- ✓ 电池充满电时，红色充电指示灯将熄灭。

### 提示

- 仅可在温度介于 0° C 和 35° C 之间的环境下给电池充电。
- 当耳机连接到 DVD 播放机时，充满电的电池可持续使用大约 2.5 小时。

## 2 安装遥控器电池

- 1 打开电池仓。
- 2 请按照指示，以正确的极性 (+/-) 插入 1 粒 CR2025 电池。
- 3 关闭电池仓。



## 3 播放光盘

- 1 提起显示面板。
  - 2 将 **OPEN** 选择滑块调到右侧以打开光盘仓。
    - (首次使用时) 取下保护卡片。
  - 3 放入光盘，令打印面朝上。
  - 4 将盖子向下推，关闭光盘仓。
- ✓ 光盘即开始自动播放。如果未自动播放，请按 **OK** 或 **▶||**。
  - ✓ 如果出现菜单，请选择项目，然后按 **OK** 开始播放。

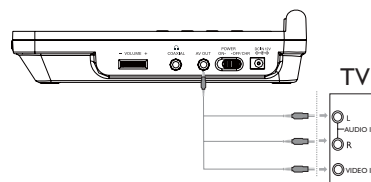
## 4 连接电视

在 DVD 播放机上，

- 1 将随附的 AV 电缆的黑色端连接到 **AV OUT** 插孔。

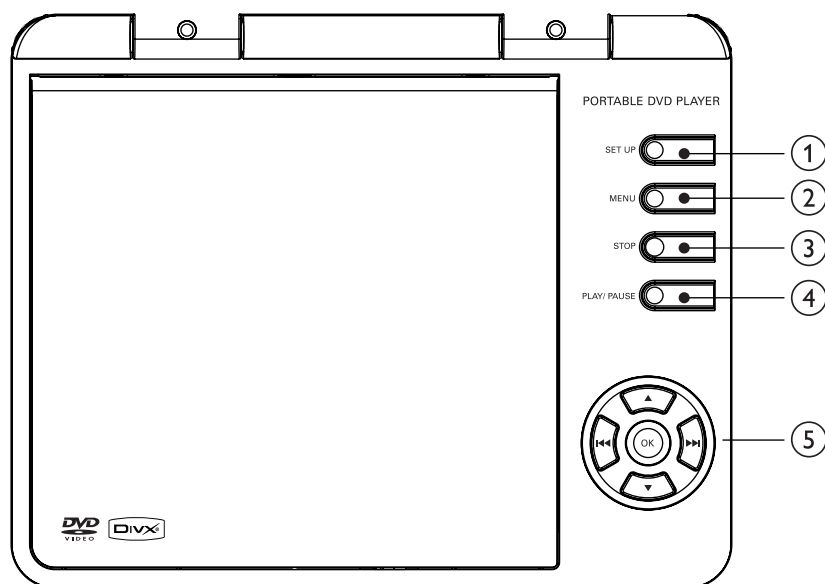
在电视上，

- 1 将白色端连接到左侧音频输入插孔，红色端连接到右侧音频输入插孔。
- 2 将黄色端连接到视频输入插孔。



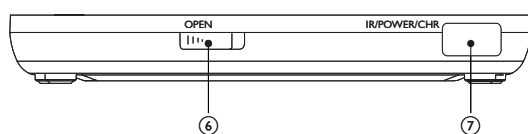
# PHILIPS

## 主装置概述



- ① **SETUP**
  - 进入或退出设置菜单
- ② **MENU**
  - 对于 DVD，进入或退出根菜单
  - 对于 VCD 和 SVCD，在 PBC 模式下打开或关闭 PBC（播放控制）
- ③ **STOP**
  - 停止光盘播放
- ④ **PLAY/PAUSE**
  - 开始、暂停或续播光盘
- ⑤ **导航键**
  - ▲ / ▼ / ◀◀ / ▶▶  
选择上/下/左/右项
  - ◀◀ / ▶▶  
按下可跳到上一或下一标题/章节/曲目  
按住可进行快退或快进搜索
  - OK  
确认输入或选择



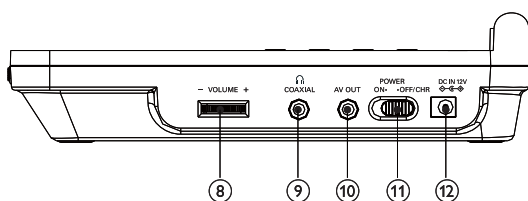


⑥ OPEN

- 打开光盘仓

⑦ IR/POWER/CHR

- 遥控传感器、电源指示灯或充电指示灯



⑧ VOLUME + / -

- 调节音量

⑨ COAXIAL

- 连接耳机
- 同轴输出插槽

⑩ AV OUT

- 音频/视频输出插槽

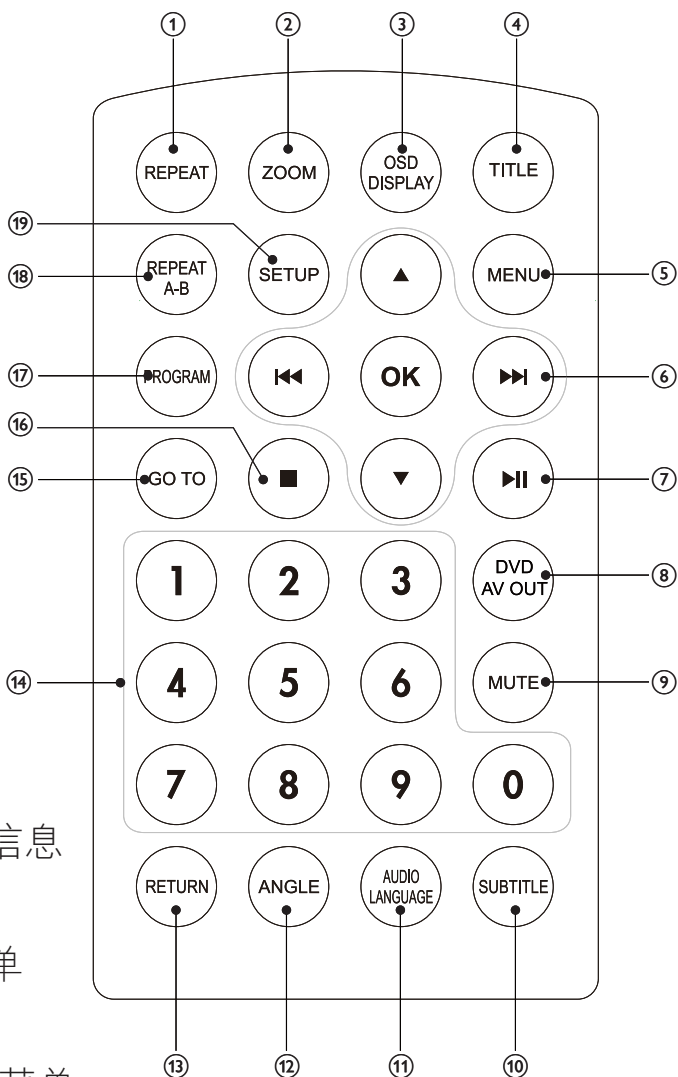
⑪ POWER ON / OFF/CHR

- 打开/关闭 DVD 播放机

⑫ DC IN 12V

- 交流-直流电源适配器插座

## Remote Control Direction



- ① **REPEAT**
- 选择重复模式
- ② **ZOOM**
- 缩放图像
- ③ **OSD DISPLAY**
- 显示当前播放状态或光盘信息
- ④ **TITLE**
- 进入或退出光盘的标题菜单
- ⑤ **MENU**
- 对于 DVD，进入或退出根菜单
  - 对于 VCD 和 SVCD，在 PBC 模式下打开或关闭 PBC（播放控制）
- ⑥ **▲ / ▼ / ◀▶ / ▶▶**
- 选择上/下/左/右项
- **◀▶ / ▶▶**  
按下可跳到上一或下一标题/章节/曲目  
按住可进行快退或快进搜索
  - **OK**  
确认输入或选择
- ⑦ **▶▶**
- 开始、暂停或续播光盘

- ⑧ DVD AV OUT
  - 在 [TV模式 (PAL信号)]、[双屏模式 (NTSC信号)] 和 [OFF模式 (无信号)] 之间切换
- ⑨ MUTE
  - 静音或恢复音量
- ⑩ SUBTITLE
  - 选择字幕语言
- ⑪ AUDIO LANGUAGE
  - 选择音频语言或声道
- ⑫ ANGLE
  - 选择 DVD 的观看角度
- ⑬ RETURN
  - (对于 VCD, 打开 PBC) 返回上一级菜单
- ⑭ Numeric Keypad 0 - 9
  - 选择特定章节/曲目/标题进行播放
- ⑮ GO TO
  - 跳至特定章节/曲目/标题或播放时间
- ⑯ ■
  - 停止光盘播放
- ⑰ PROGRAM
  - 进入或退出编程菜单
- ⑱ REPEAT A-B
  - 标记重复播放的部分
- ⑲ SETUP
  - 进入或退出设置菜单

## Mechanical and Dismantling Instructions

### Dismantling Instruction

---

The following guidelines show how to dismantle the player. (The DVD Player should be power off during the dismantling )

**Step1:** Reverse the set, remove 4 PAD from the Bottom Plate, and remove 7 screws around the Bottom Plate (Figure 1).



Figure 1

**Step2:** You can make it through the instruction as below for taking tray (Figure 2)

Note: Make sure to operate gently otherwise the guider would be damaged.

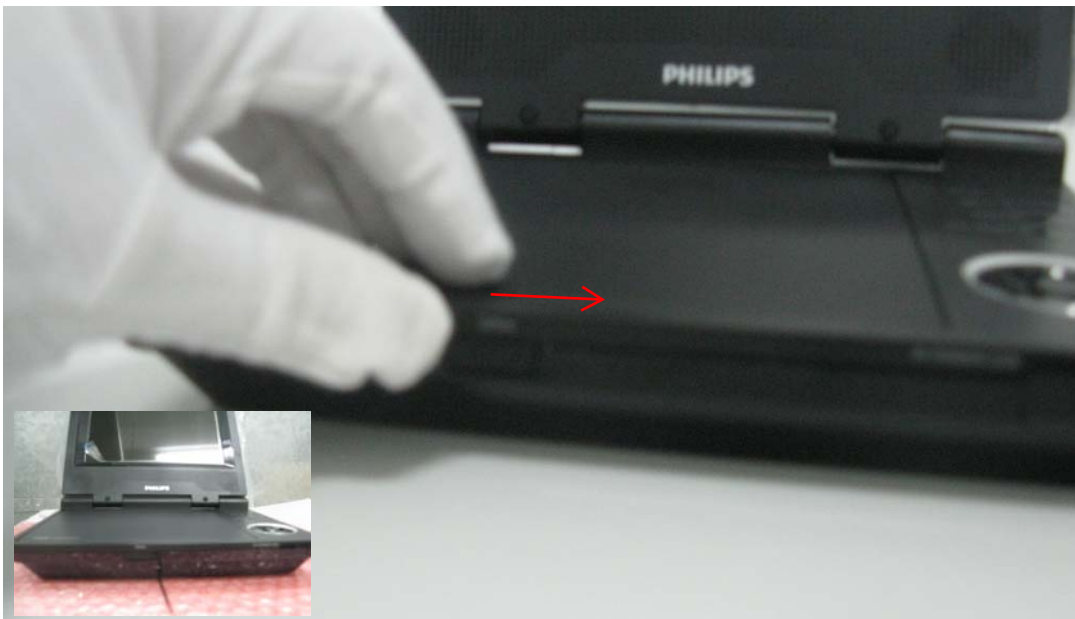


Figure 2

## Mechanical and Dismantling Instructions

### Dismantling Instruction

**Step3:** If it is necessary to dismantle Loader or PCB Board, the Mid-CASE mouldle should be removed first (Figure 3 & 4).  
Need remove 1 screw as below figure:

Note: Make sure to operate gently otherwise the guider would be damaged.



Figure 3

**Step4:** Disassemble the Mid-CASE: With two hands to open & remove the Mid-CASE as below instruction (Figure 4).  
Note: Make sure to operate gently otherwise the guider would be damaged.



Figure 4



## Mechanical and Dismantling Instructions

### Dismantling Instruction

Step5: Dismantling the SW Board, should remove 5 screws and disconnect 1 FFC as below Figure5.

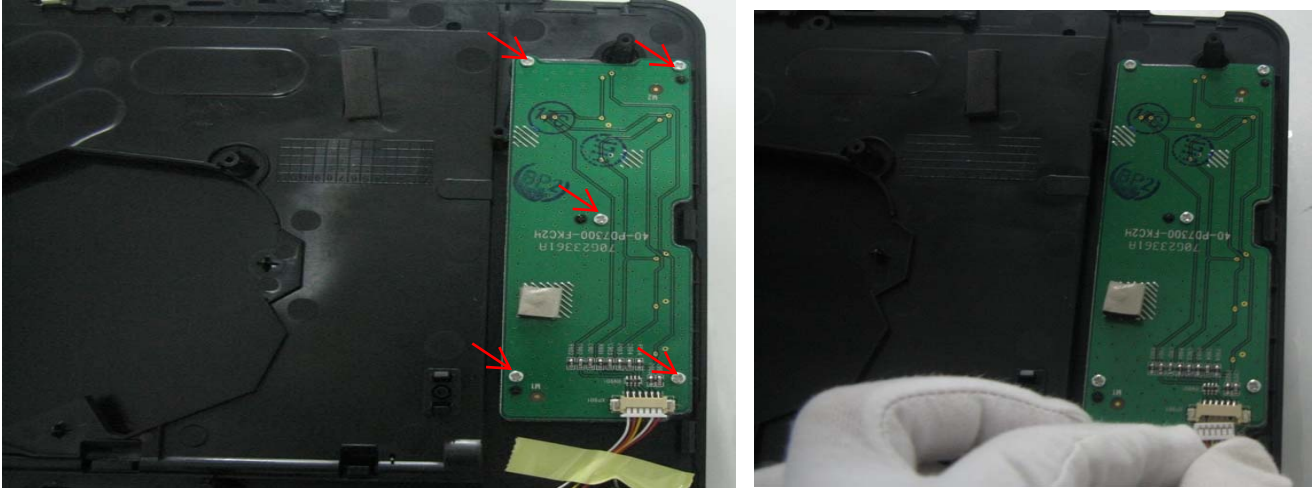


Figure 5

**Step6:** Dismantling Loader, disconnect the 2 connectors (XP5, XP6) and 24Pin FFC aiming in the below figure;  
 Dismantling Main Board, remove 4 screws, disconnect other 6 connectors (XP1, XP2, XP7, XP8, XP9, XP10) as below instruction;  
 Dismantling IR Board, remove 1 screw and disconnect 1 connector (XP2) as below instruction.

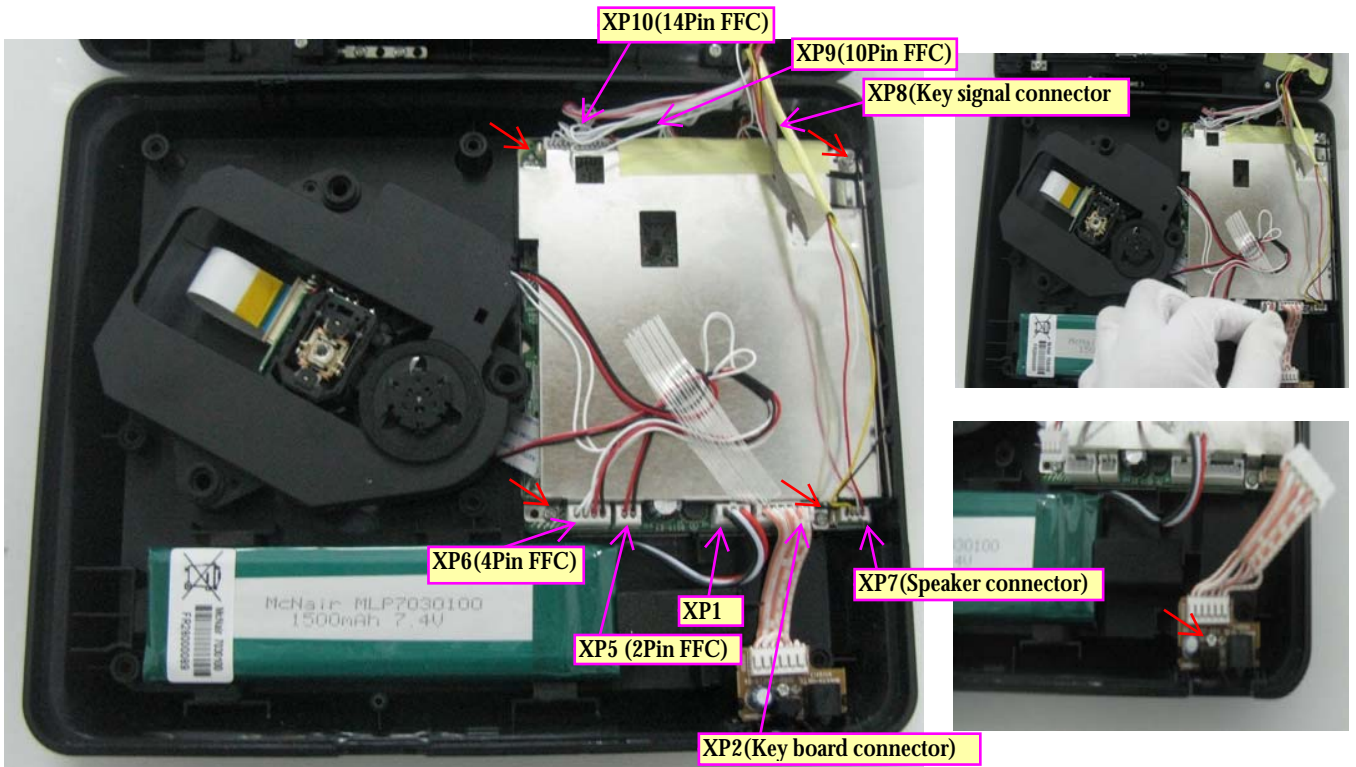
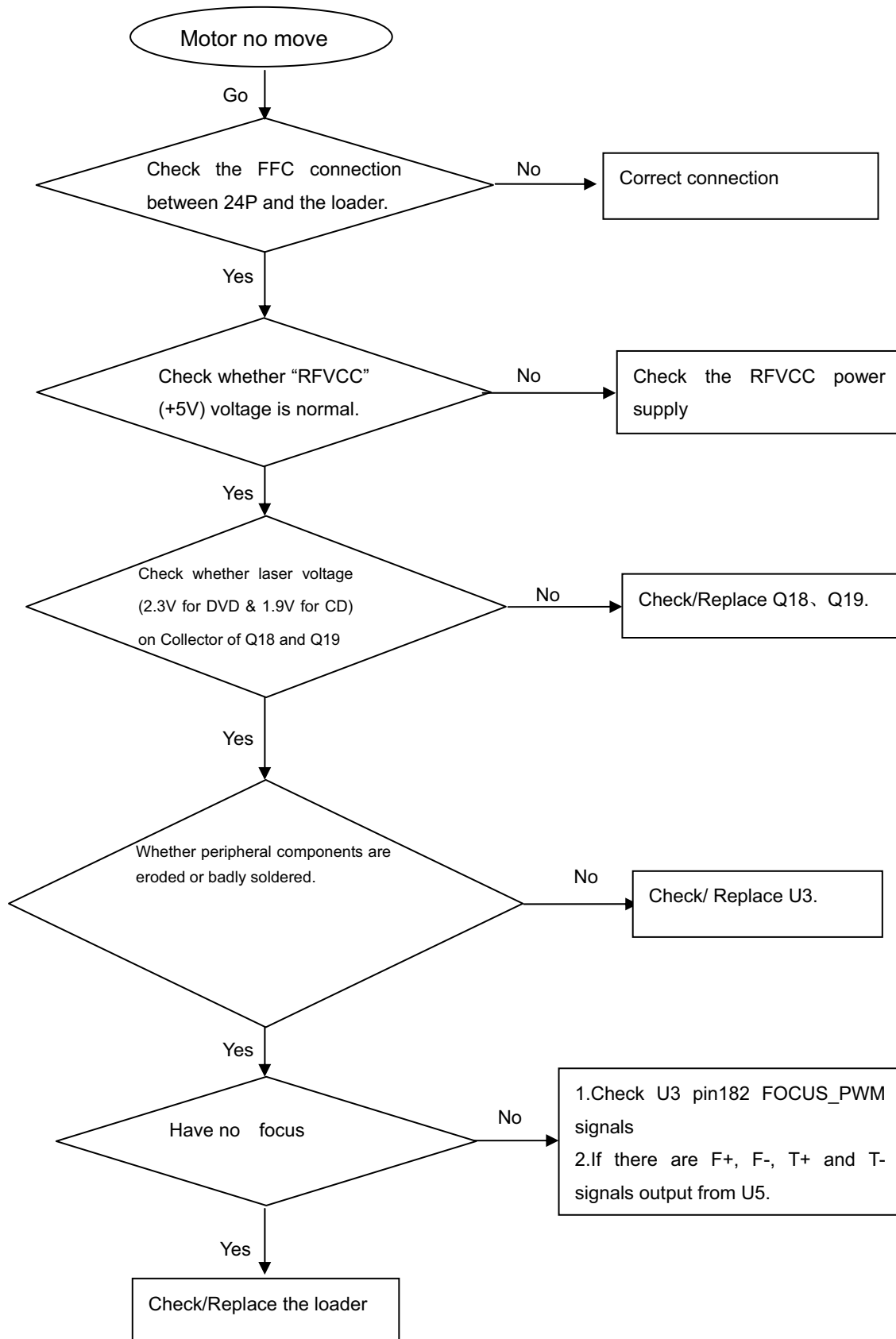
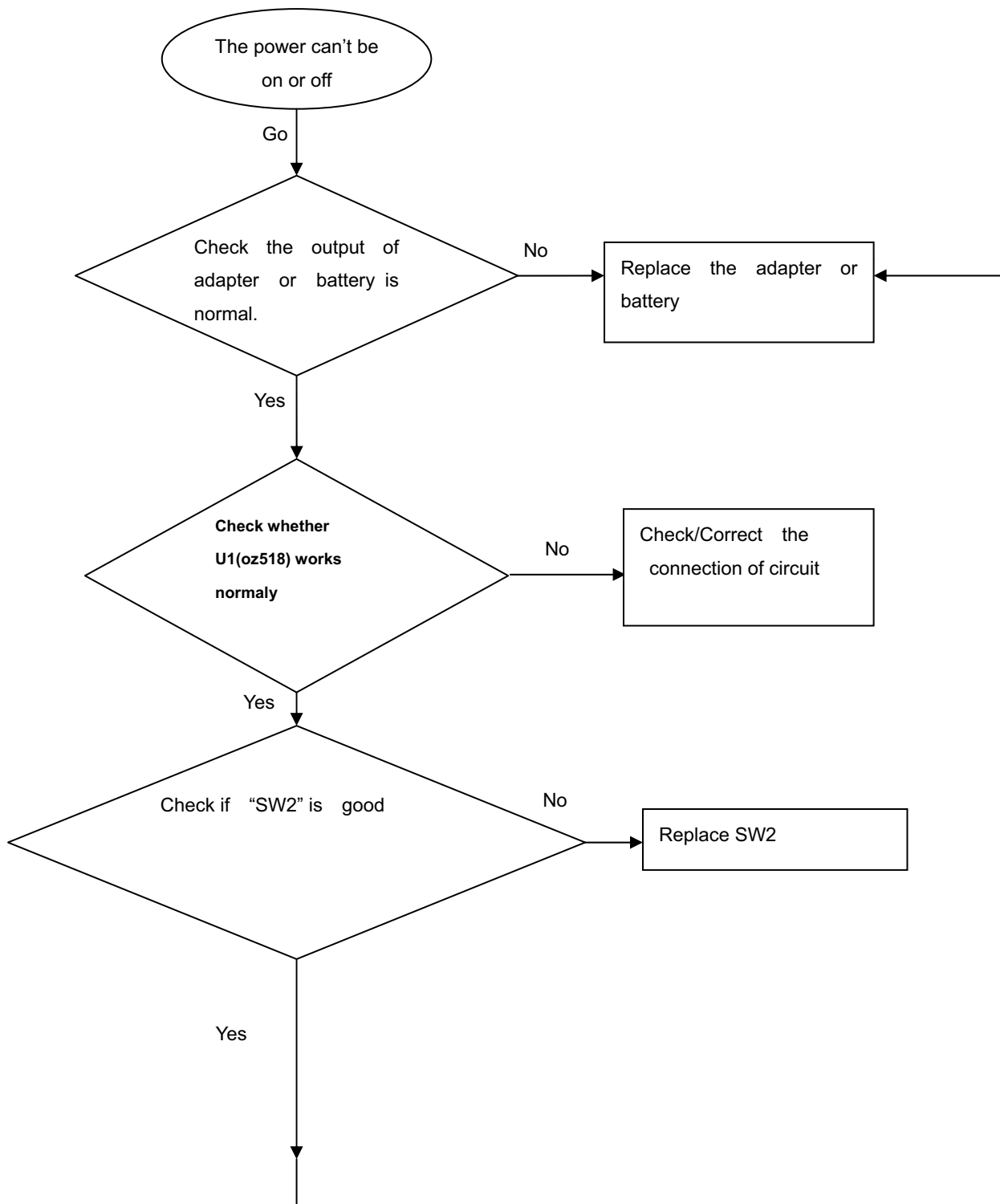
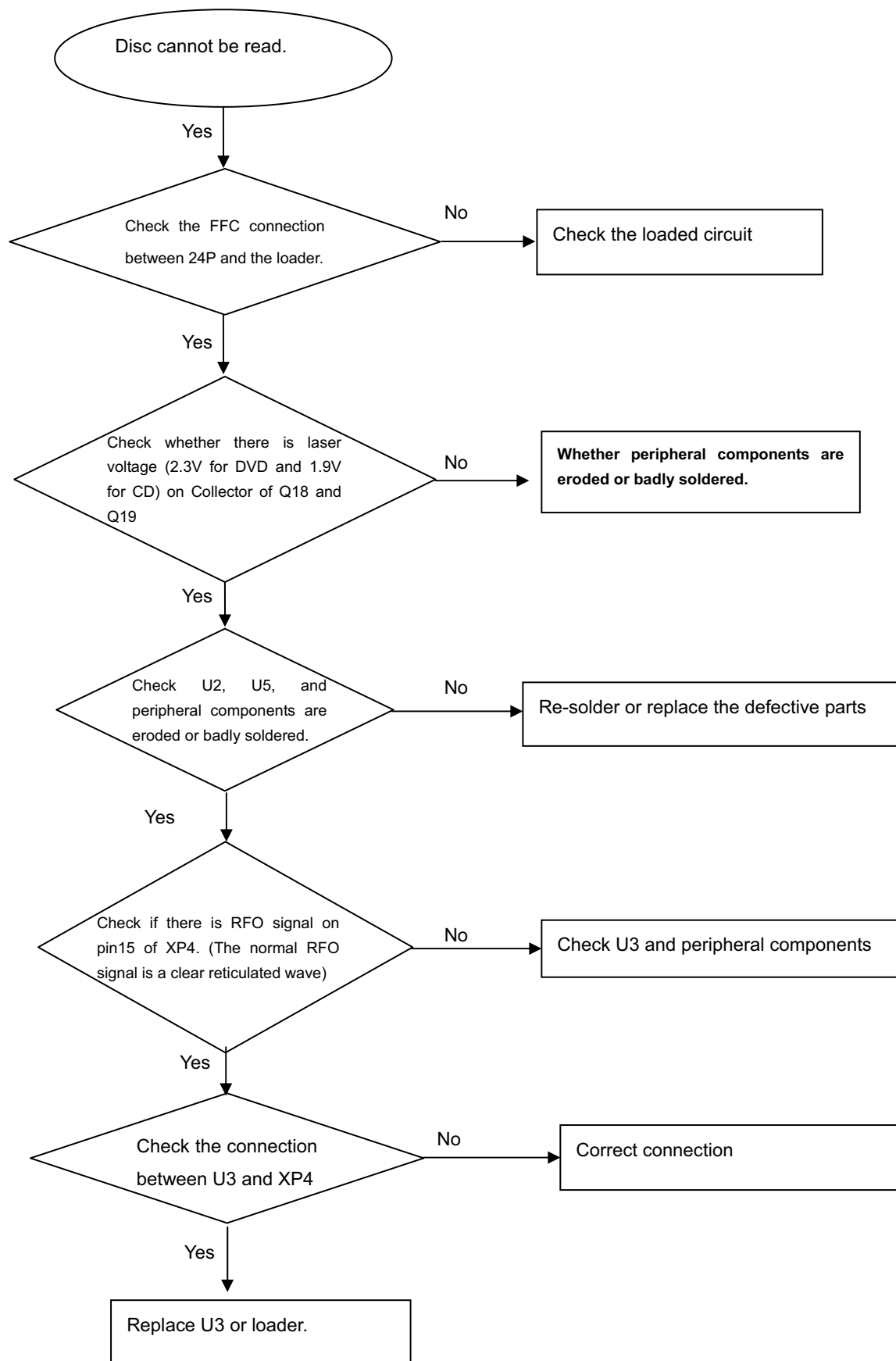


Figure 6

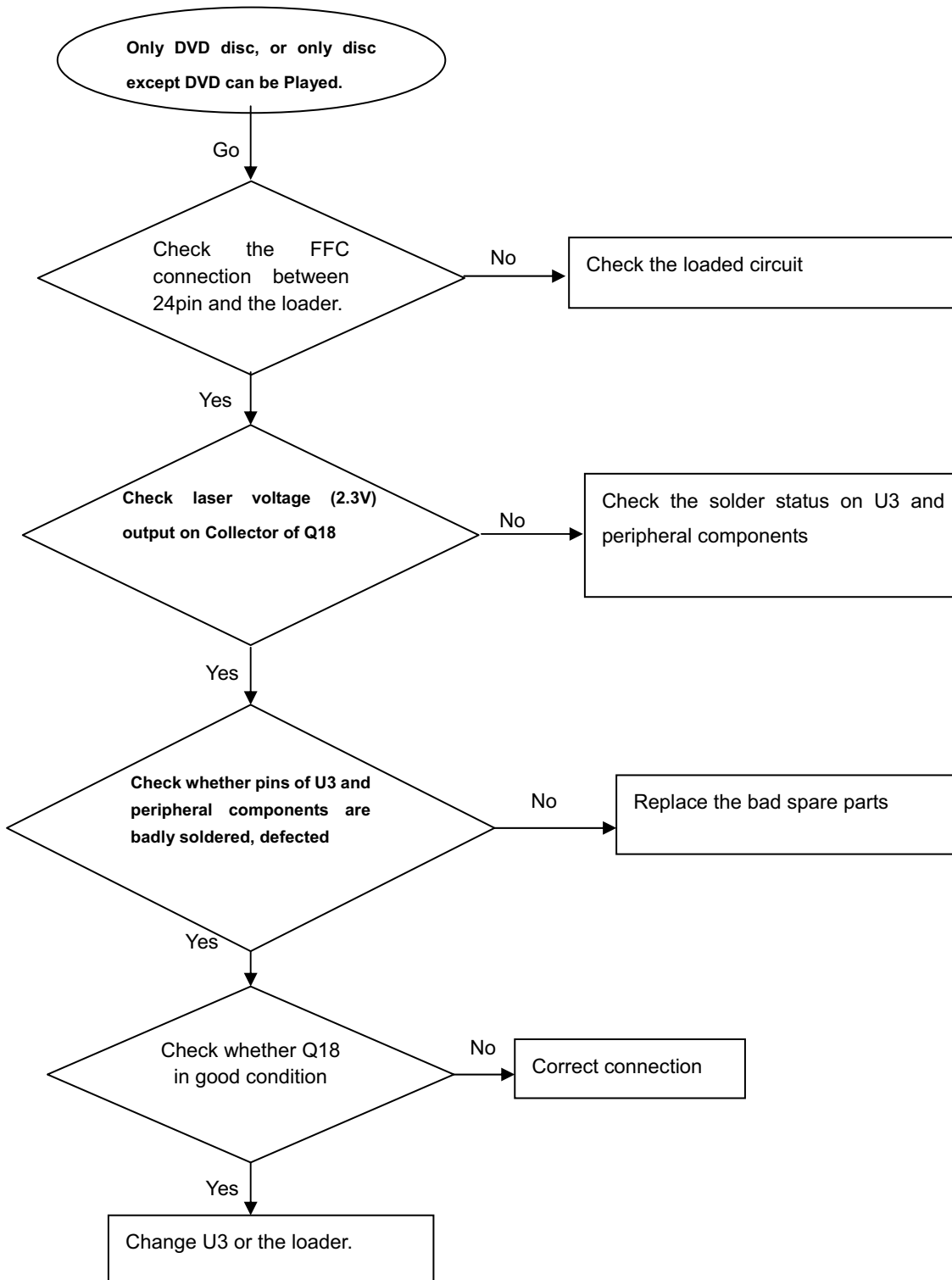
**Spindle motor does not move**

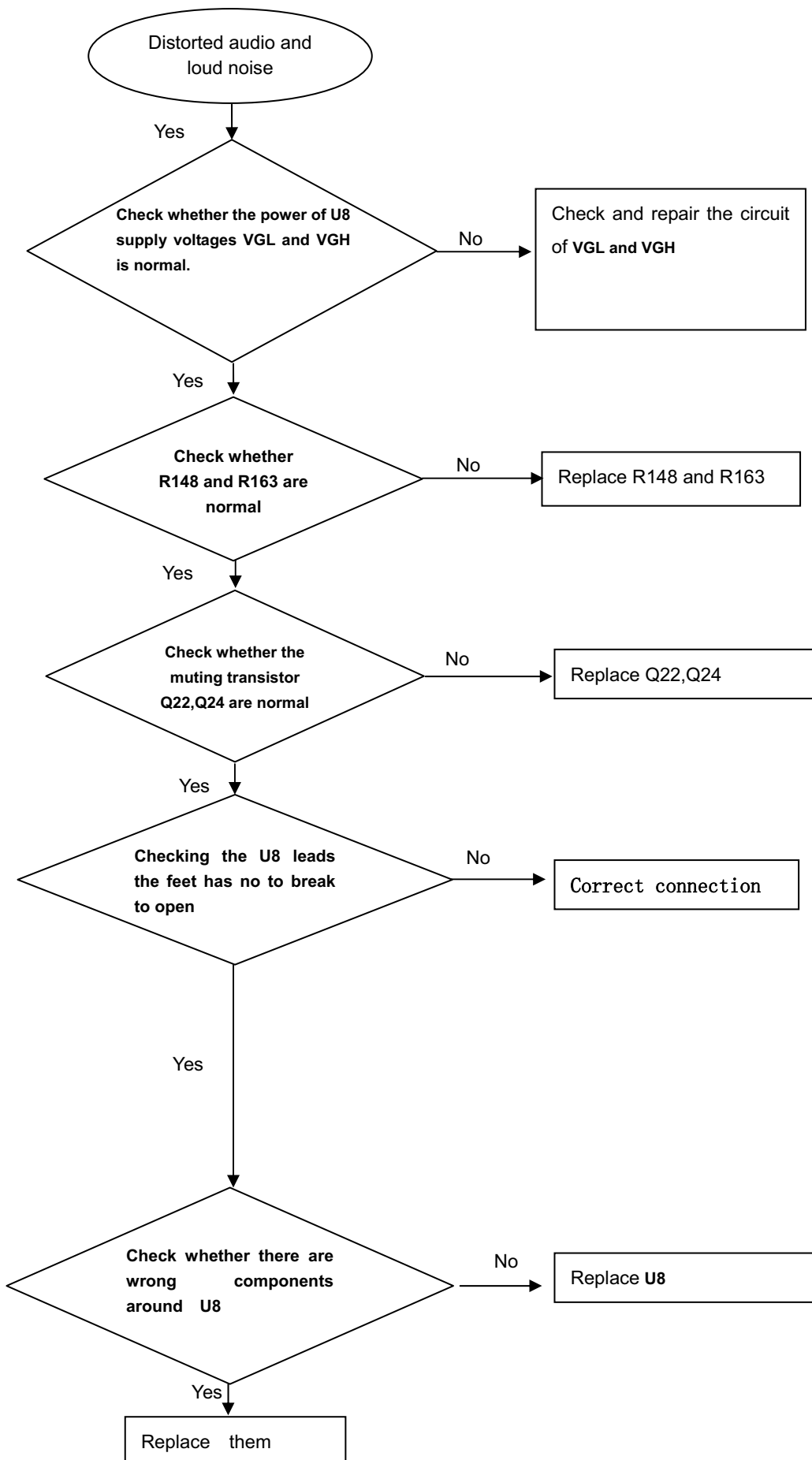
**The power can not be on**

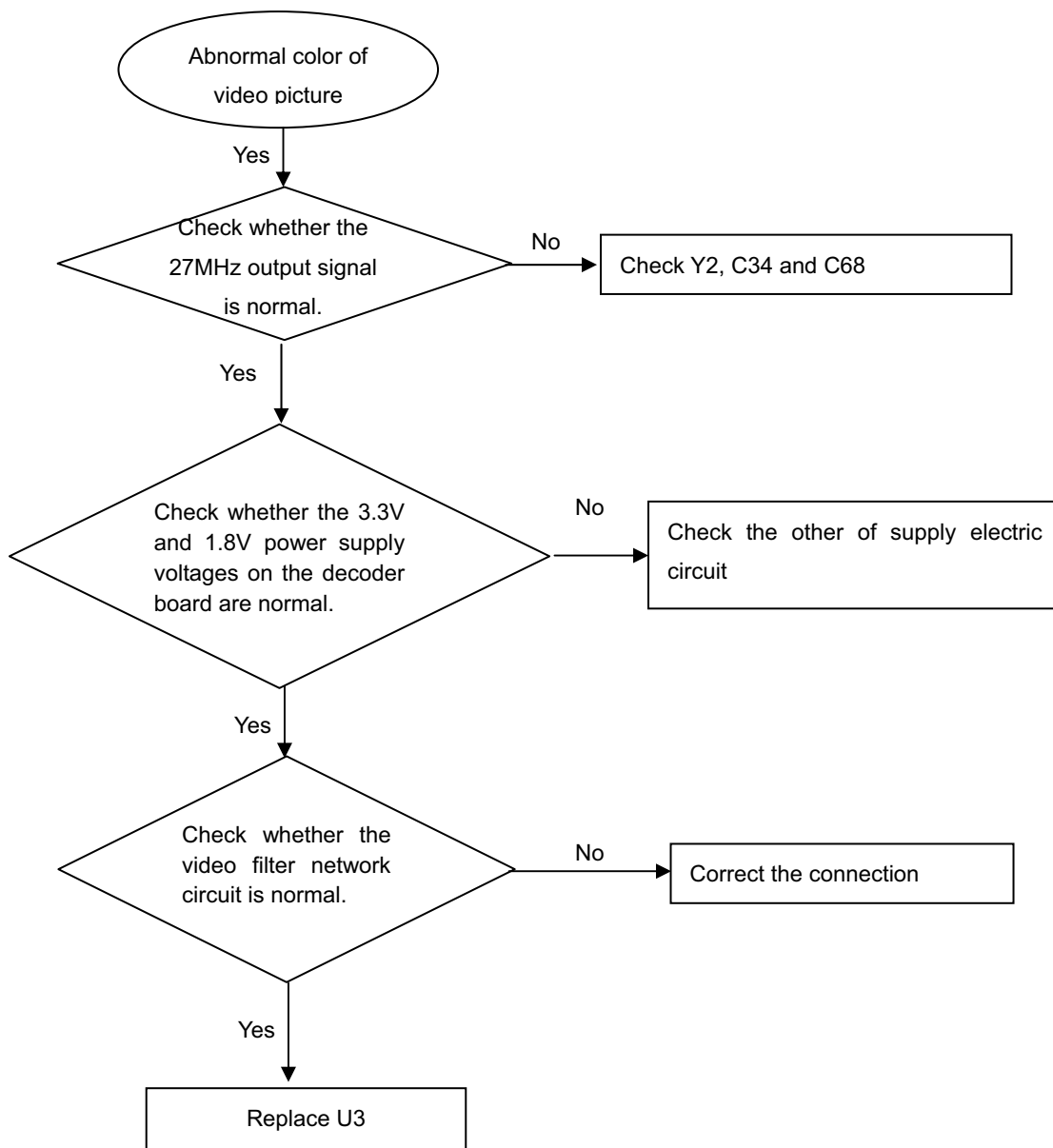


**Disc cannot be read.**

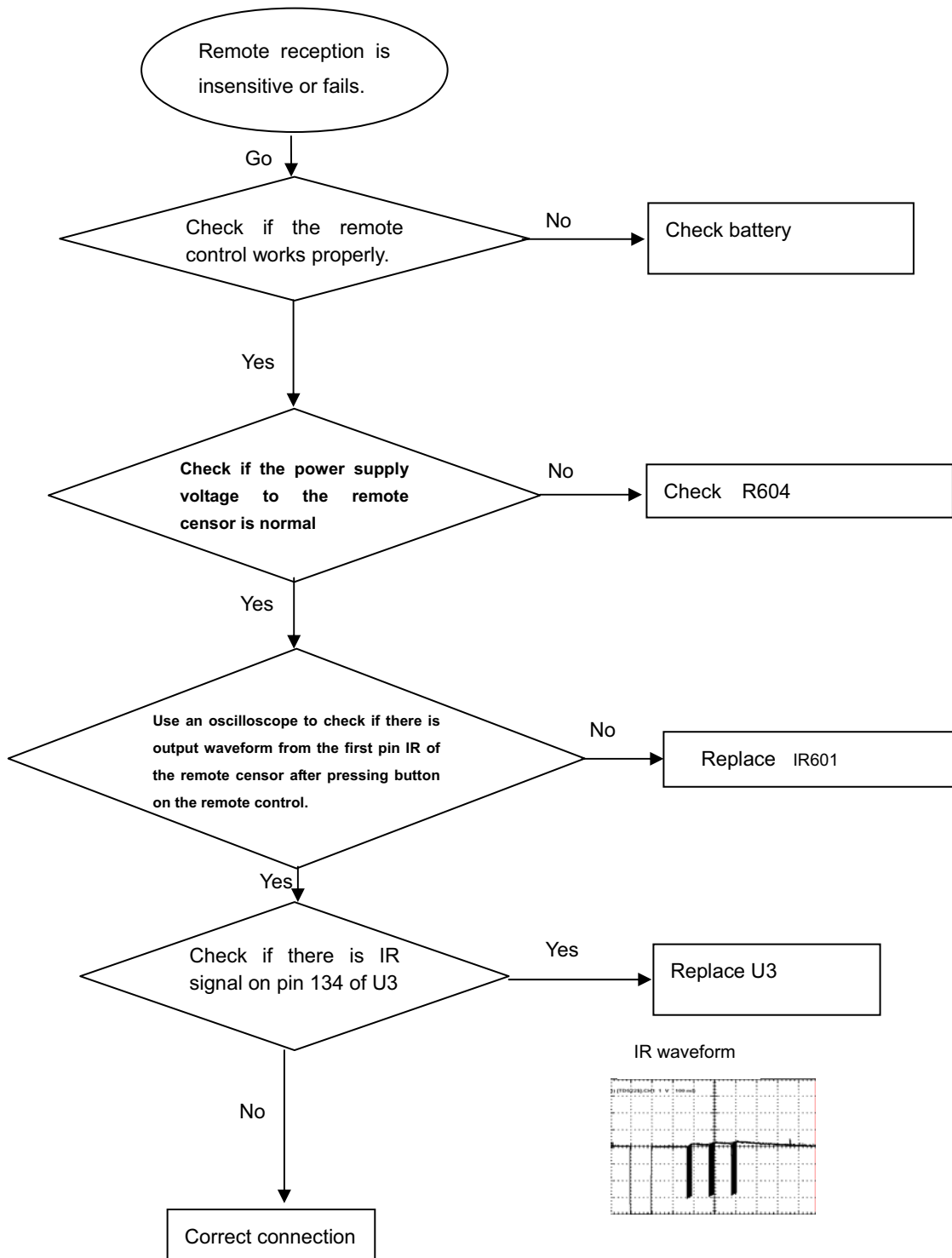
---

**Only DVD disc or only disc except DVD can be played**

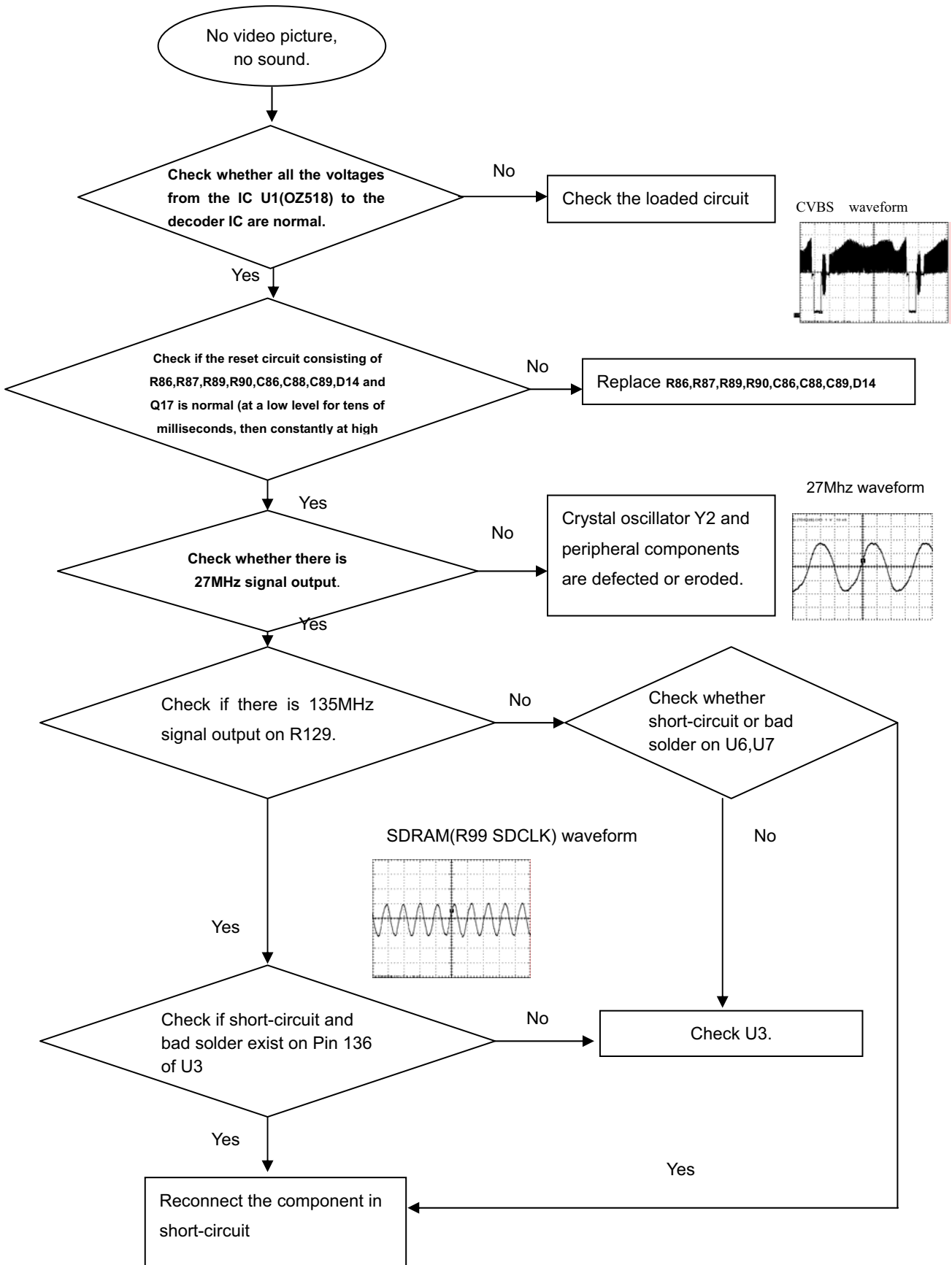
**Distorted audio and loud noise**

**Abnormal color of video picture**

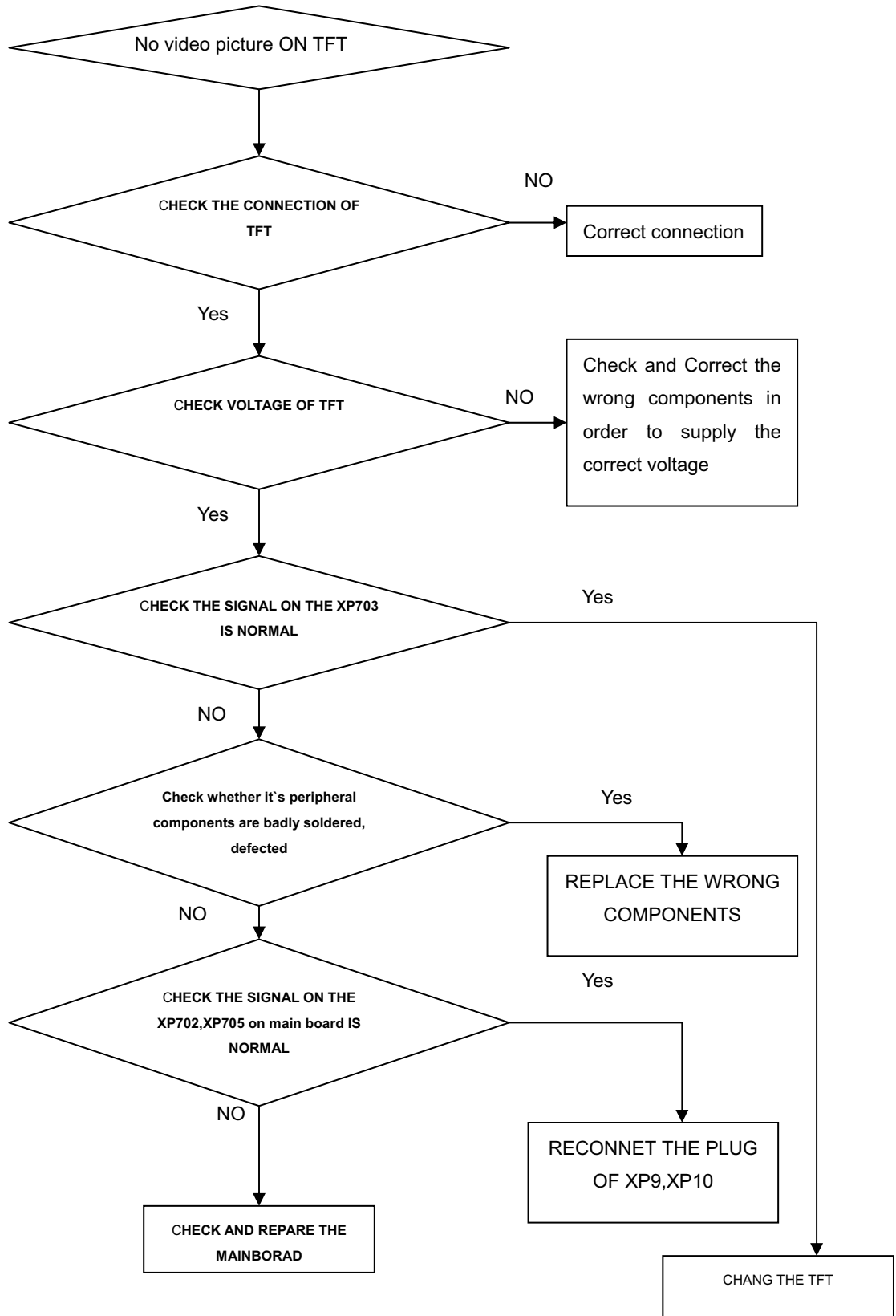
**Remote reception is insensitive or fails.**



**No video picture, no sound.**



## No video picture ON TFT



## Software check and upgrade

---

### Preparation to upgrade software

1) Burn XXXX\_XX.img and UPDATE.ver on a blank CD-R or CD-RW disk no need volume label.

\*(If upgrade-file is compressed files, pls unzip it first)

**Note: It is required capital letter for the File System name.**

#### A. Procedure for software upgrade:

- 1) Power on the set and insert the prepared Upgrade CDR.
- 2) The set will starts reading disc & response with the following display TV screen:
 

Loading

  
 Firmware Upgrade Erase and program.  

Start

Cancel

Select Start to start upgrade.
- 3) Press <OK> button to confirm, then screen will display :  
 Firmware Upgrade Programming, Please Wait...  
 Do not Switch the Player Off !
- 4) The upgraded disc will automatically out when files coping complete, then take out the disc.
- 5) About 1 minute later, the tray will automatically close when upgrading complete.

#### B. Read out the software versions to confirm upgrading

- 1) Power on the set and open the tray door;
- 2) Press <9><6><6> button on the reomote control.  
 The software version and other information are display on the TV screen as follows:  
 BE Version: PET717/93.XX (Main version)  
 FE Version: XXX-XX.XXXXXX.XXXXXXX\_XXXX.XX.XX.XX  
 DSP Version: XXX.XX  
 Region Code: X

**Caution: The set must not be power off during upgrading, otherwise the Main board will be damaged entirely.**

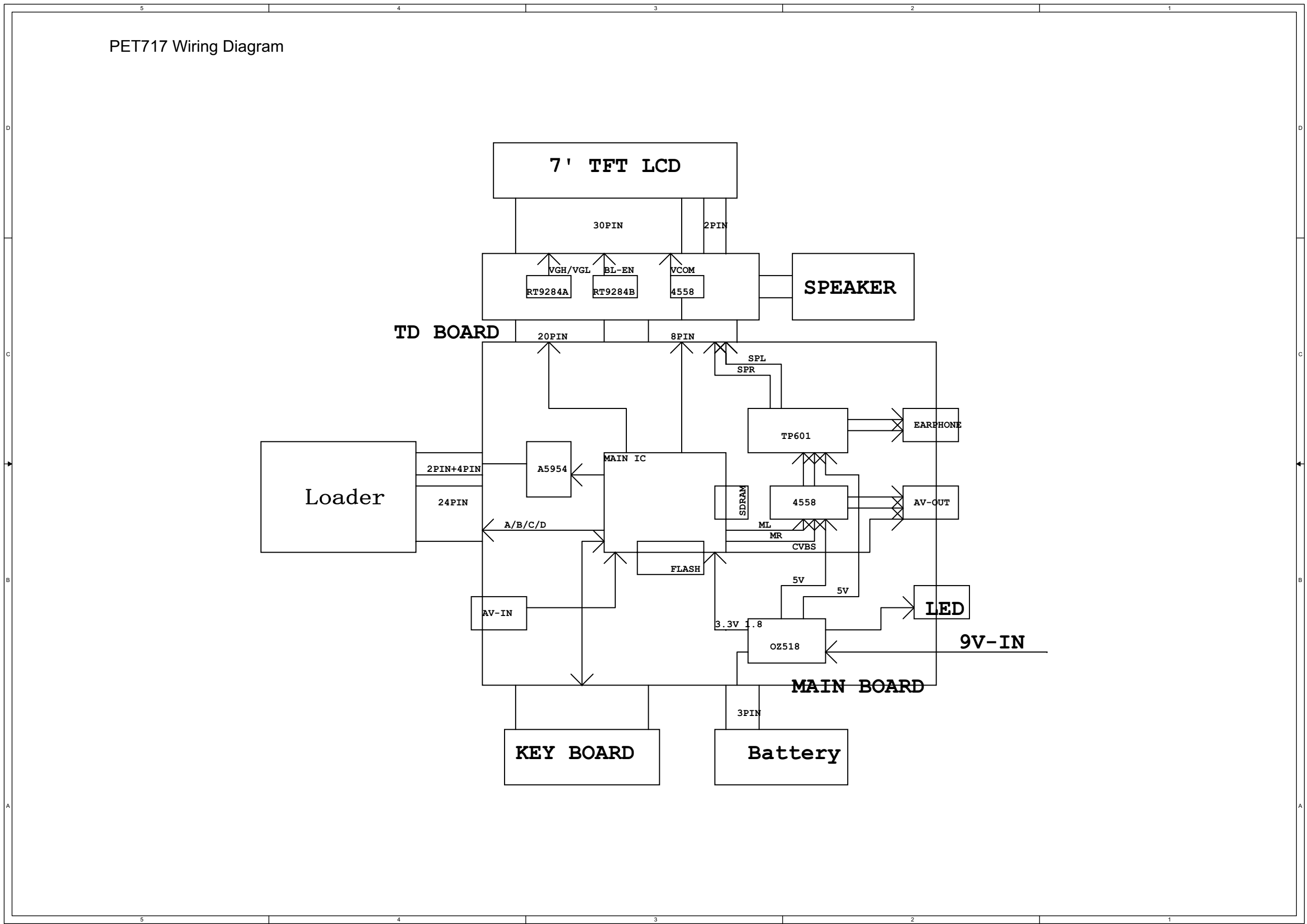
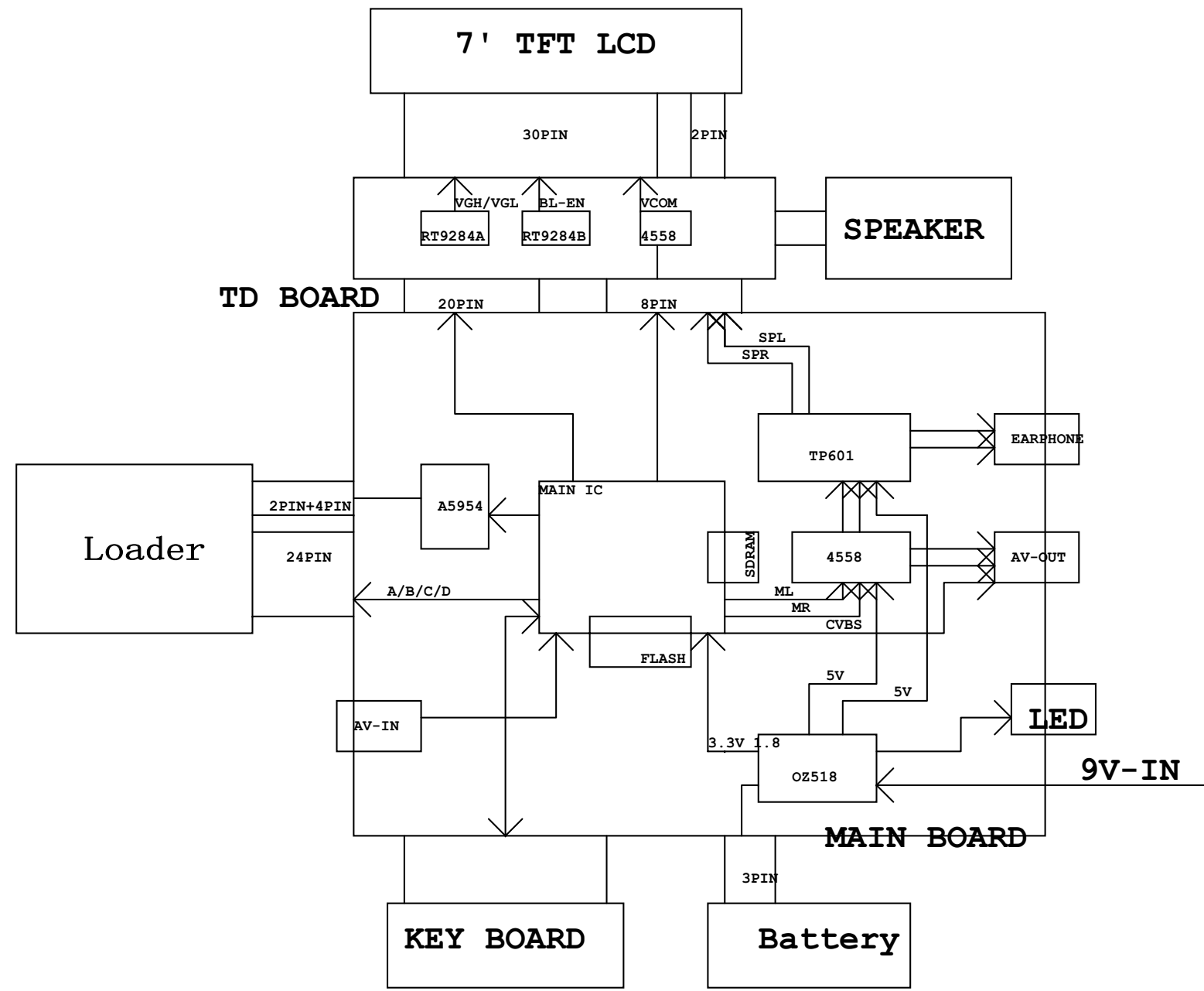
## Region code change

---

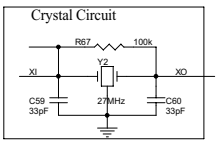
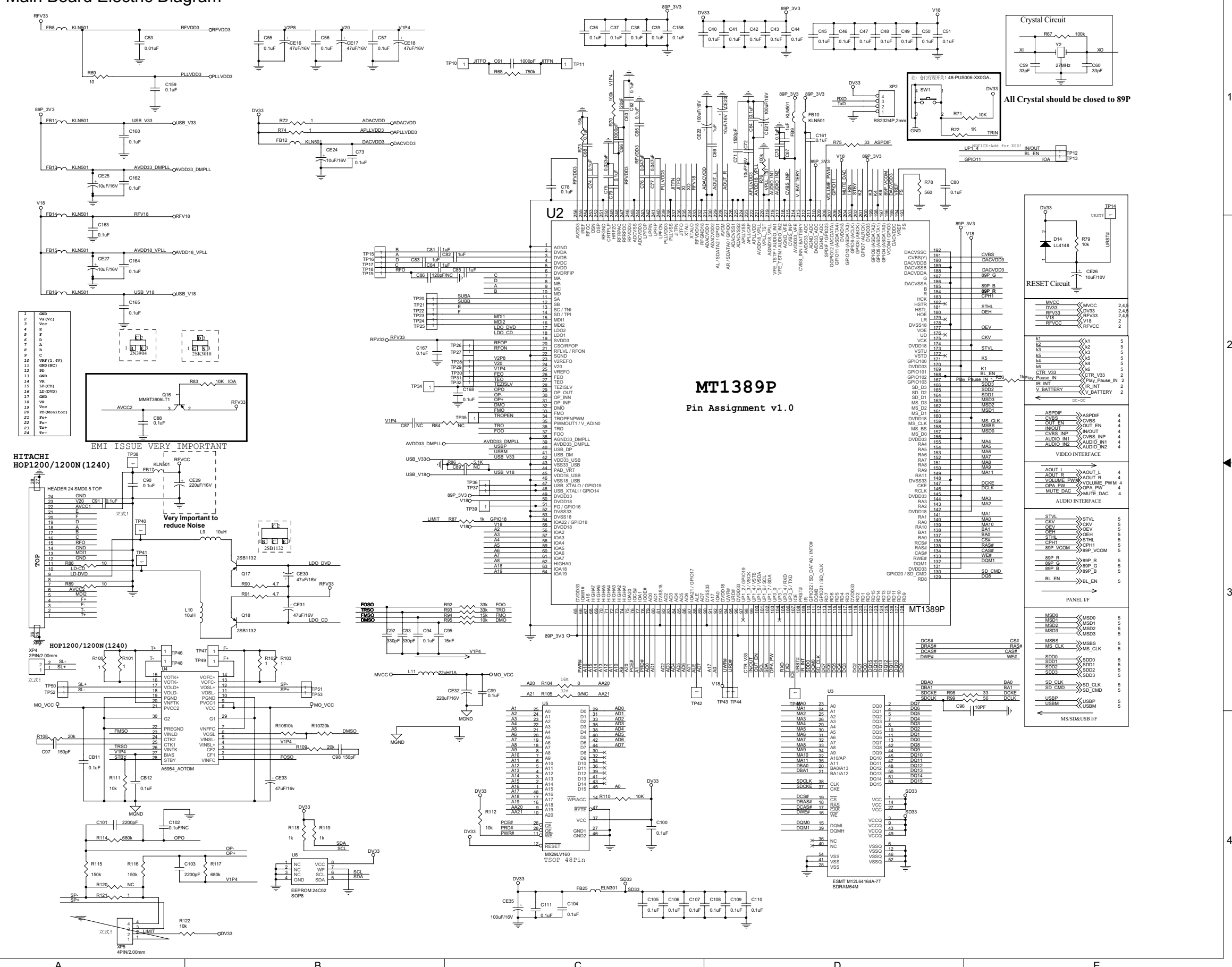
1. Power on the set and open the tray;
2. Press the <9><8><7><9> button on the remote control;
3. Input a new region number by the remote control, then it will display on the the TV screen.



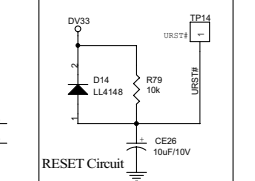
PET717 Wiring Diagram



# Main Board Electric Diagram



All Crystal should be closed to 89P



## MT1389P Pin Assignment v1.0

1	2	3	4	5	6	7	8	9	10	11	12	13	14	15	16	17	18	19	20	21	22	23	24
AVCC2	AVCC3	AVCC4	AVCC5	AVCC6	AVCC7	AVCC8	AVCC9	AVCC10	AVCC11	AVCC12	AVCC13	AVCC14	AVCC15	AVCC16	AVCC17	AVCC18	AVCC19	AVCC20	AVCC21	AVCC22	AVCC23	AVCC24	AVCC25

1	2	3	4	5	6	7	8	9	10	11	12	13	14	15	16	17	18	19	20	21	22	23	24
AVCC2	AVCC3	AVCC4	AVCC5	AVCC6	AVCC7	AVCC8	AVCC9	AVCC10	AVCC11	AVCC12	AVCC13	AVCC14	AVCC15	AVCC16	AVCC17	AVCC18	AVCC19	AVCC20	AVCC21	AVCC22	AVCC23	AVCC24	AVCC25

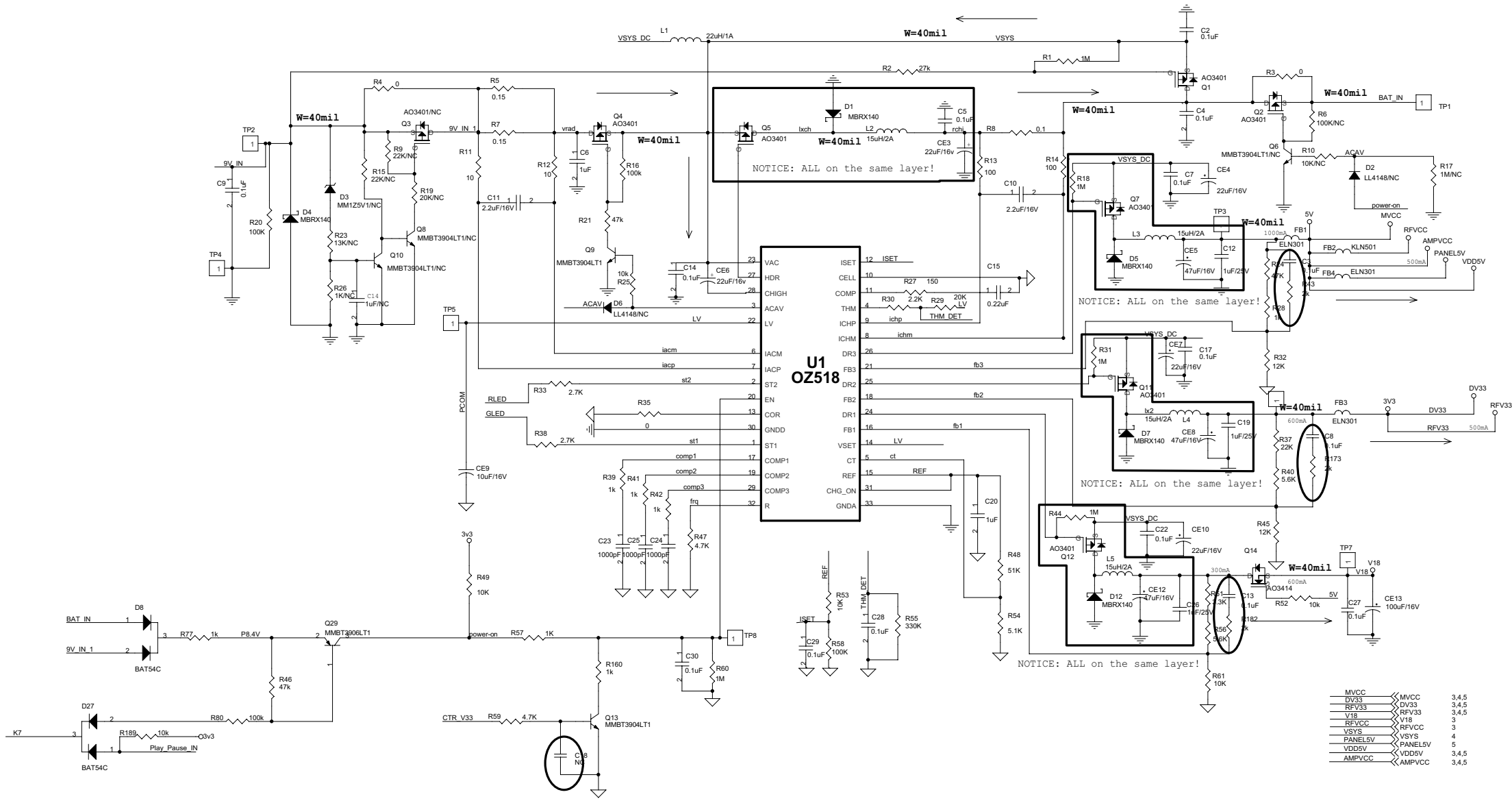
1	2	3	4	5	6	7	8	9	10	11	12	13	14	15	16	17	18	19	20	21	22	23	24
AVCC2	AVCC3	AVCC4	AVCC5	AVCC6	AVCC7	AVCC8	AVCC9	AVCC10	AVCC11	AVCC12	AVCC13	AVCC14	AVCC15	AVCC16	AVCC17	AVCC18	AVCC19	AVCC20	AVCC21	AVCC22	AVCC23	AVCC24	AVCC25

1	2	3	4	5	6	7	8	9	10	11	12	13	14	15	16	17	18	19	20	21	22	23	24
AVCC2	AVCC3	AVCC4	AVCC5	AVCC6	AVCC7	AVCC8	AVCC9	AVCC10	AVCC11	AVCC12	AVCC13	AVCC14	AVCC15	AVCC16	AVCC17	AVCC18	AVCC19	AVCC20	AVCC21	AVCC22	AVCC23	AVCC24	AVCC25

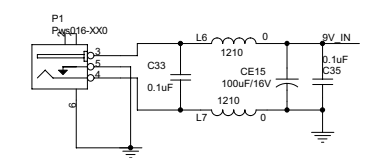
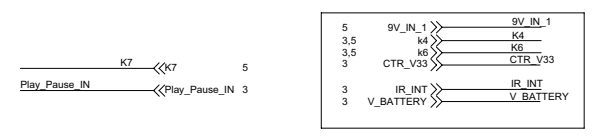
1	2	3	4	5	6	7	8	9	10	11	12	13	14	15	16	17	18	19	20	21	22	23	24
AVCC2	AVCC3	AVCC4	AVCC5	AVCC6	AVCC7	AVCC8	AVCC9	AVCC10	AVCC11	AVCC12	AVCC13	AVCC14	AVCC15	AVCC16	AVCC17	AVCC18	AVCC19	AVCC20	AVCC21	AVCC22	AVCC23	AVCC24	AVCC25

1	2	3	4	5	6	7	8	9	10	11	12	13	14	15	16	17	18	19	20	21	22	23	24
AVCC2	AVCC3	AVCC4	AVCC5	AVCC6	AVCC7	AVCC8	AVCC9	AVCC10	AVCC11	AVCC12	AVCC13	AVCC14	AVCC15	AVCC16	AVCC17	AVCC18	AVCC19	AVCC20	AVCC21	AVCC22	AVCC23	AVCC24	AVCC25

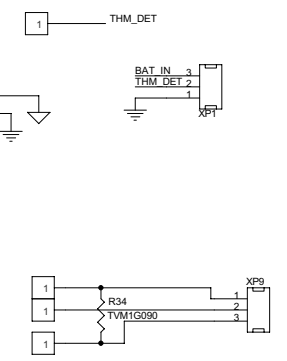
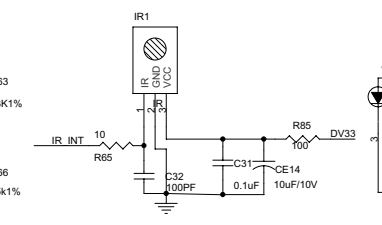
# DC Board and Main Board Electric Diagram



MVCC	MVCC	3.4,5
DV33	DV33	3.4,5
RFV33	RFV33	3.4,5
V18	V18	3
RFVCC	RFVCC	3
VSYS	VSYS	4
PANELSV	PANELSV	5
VDD5V	VDD5V	3.4,5
AMPVCC	AMPVCC	3.4,5



注：电池电压为6.8V (2.12V)，提示低电压！  
 电池电压为6.5V (2.01V)，关机！



# Main Board Electric Diagram: SD/MS/PANEL I/F

1  
2  
3  
4

1  
2  
3  
4

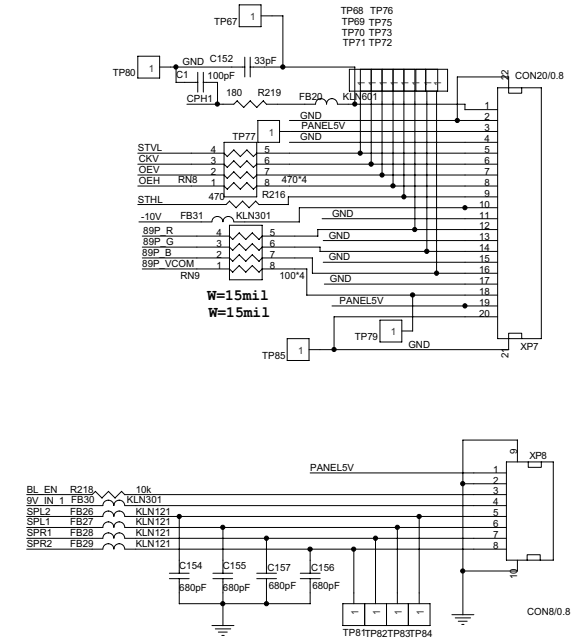
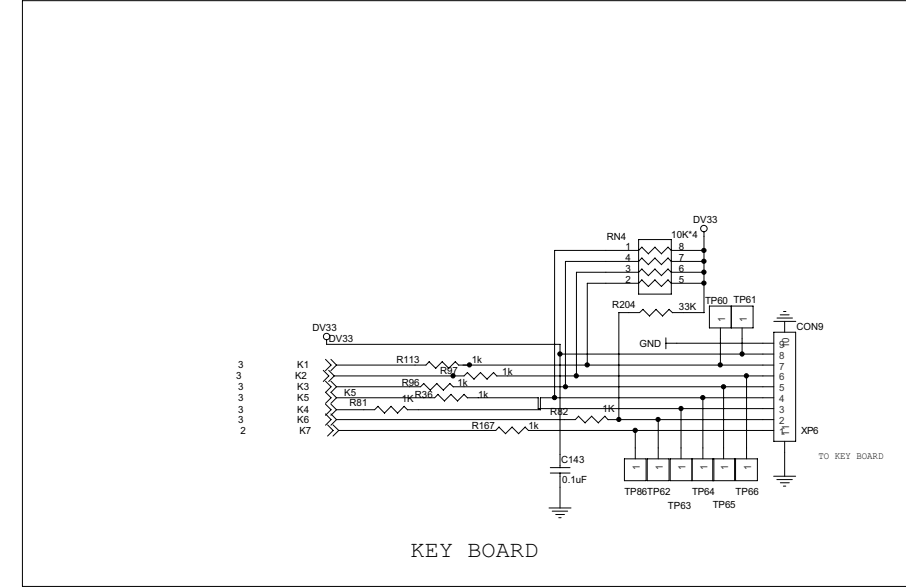
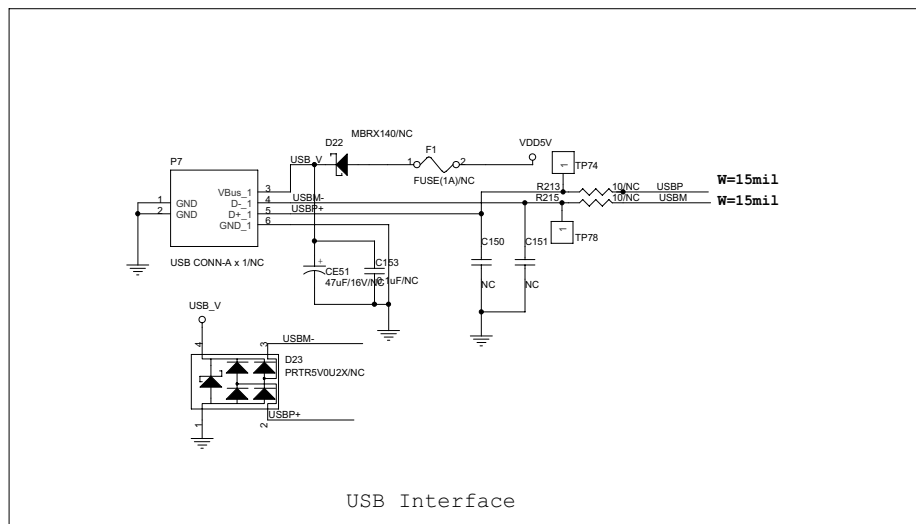
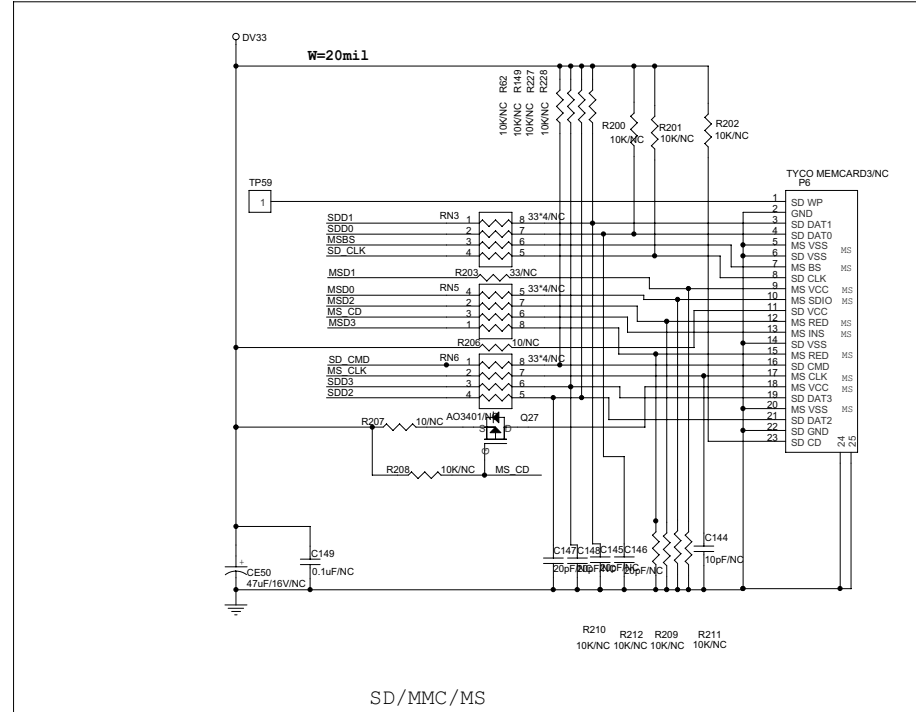
-10V	<<-10V	4
DV33	<<DV33	2,3,4
VDD5V	<<VDD5V	2,3,4
9V_IN_1	<<9V_IN_1	
SPL1	<<SPL1	
SPL2	<<SPL2	
SPR1	<<SPR1	
SPR2	<<SPR2	

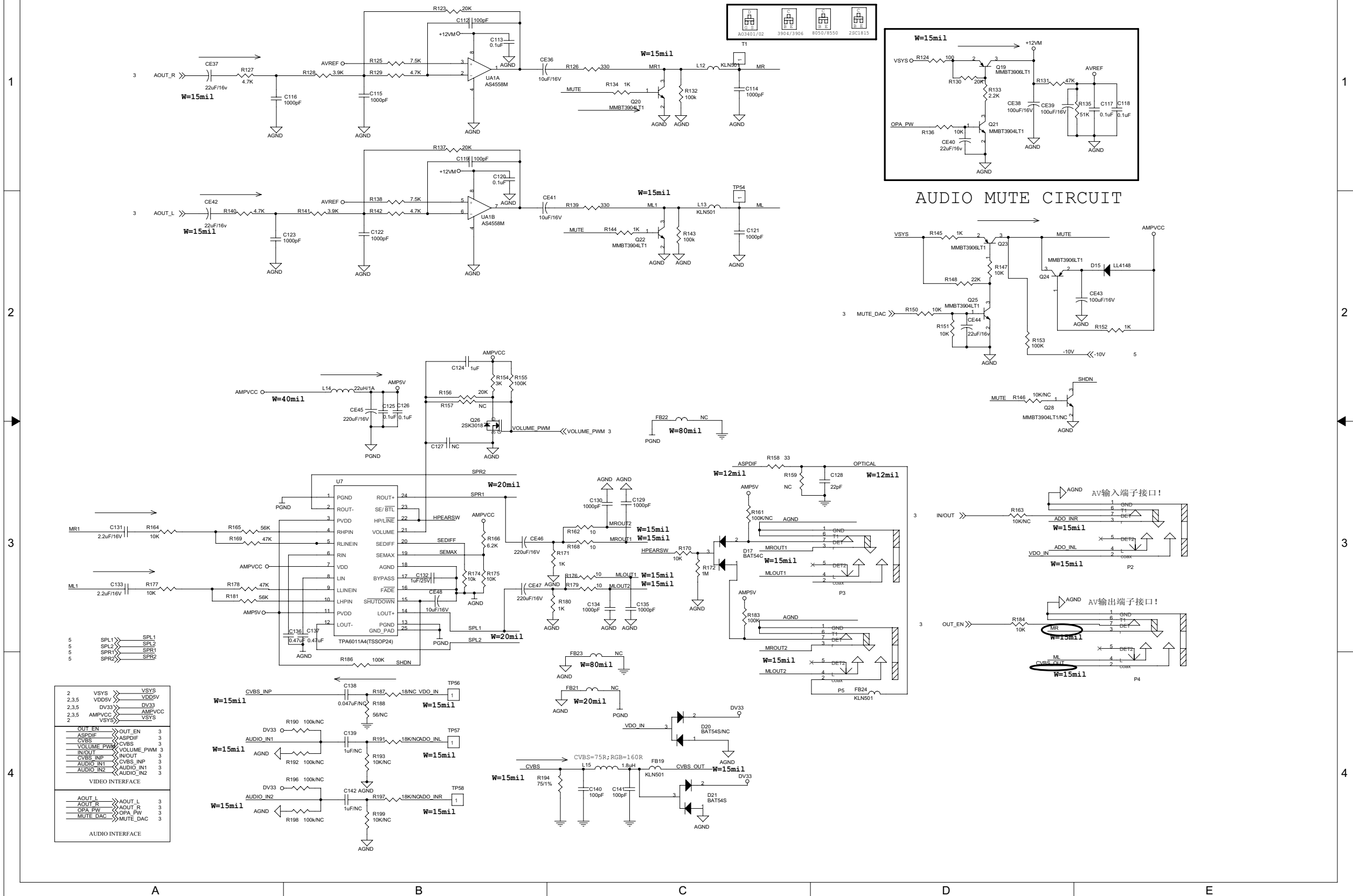
STVL	<<STVL	3
CKV	<<CKV	3
OEV	<<OEV	3
STHL	<<STHL	3
CPH1	<<CPH1	3
89P_VCOM	<<89P_VCOM	3
89P_R	<<89P_R	3
89P_G	<<89P_G	3
89P_B	<<89P_B	3
BL_EN	<<BL_EN	3
PANELSV	<<PANELSV	2

MSD0	<<MSD0	3
MSD1	<<MSD1	3
MSD2	<<MSD2	3
MSD3	<<MSD3	3
MSBS	<<MSBS	3
MS_CLK	<<MS_CLK	3
SDD0	<<SDD0	3
SDD1	<<SDD1	3
SDD2	<<SDD2	3
SDD3	<<SDD3	3
SD_CLK	<<SD_CLK	3
SD_CMD	<<SD_CMD	3
USBP	<<USBP	3
USBM	<<USBM	3

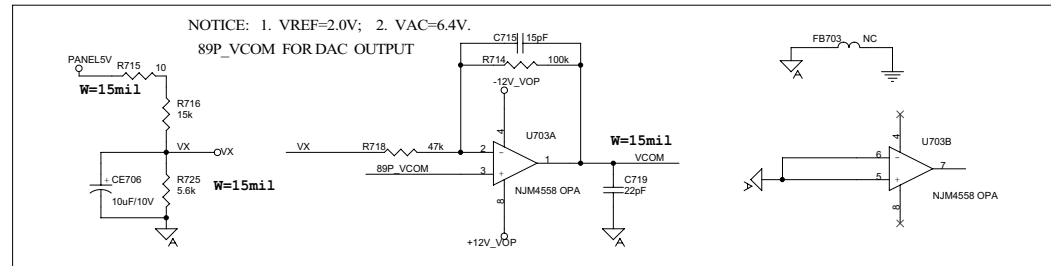
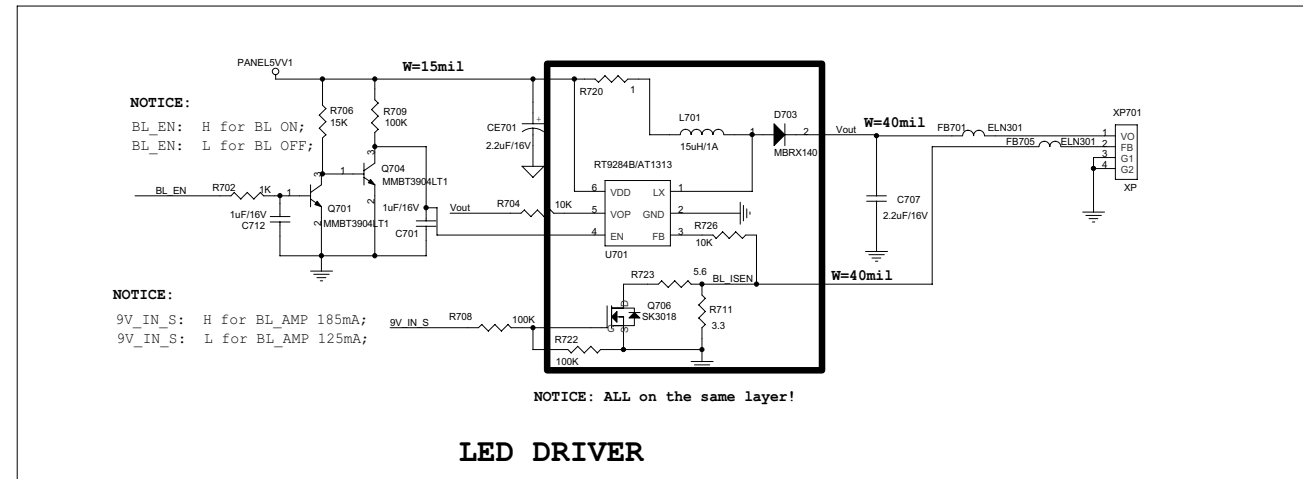
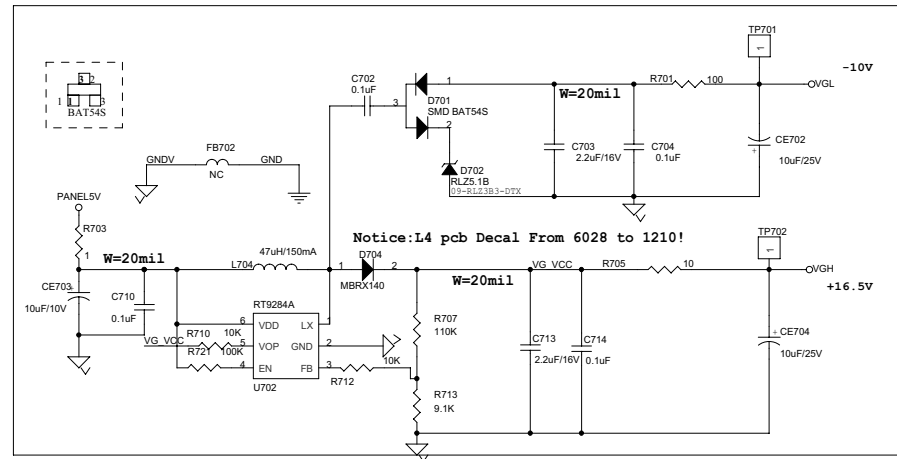


### Main Board Electric Diagram:Audio/Video

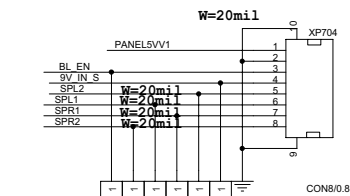
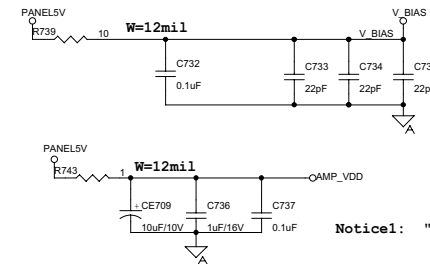
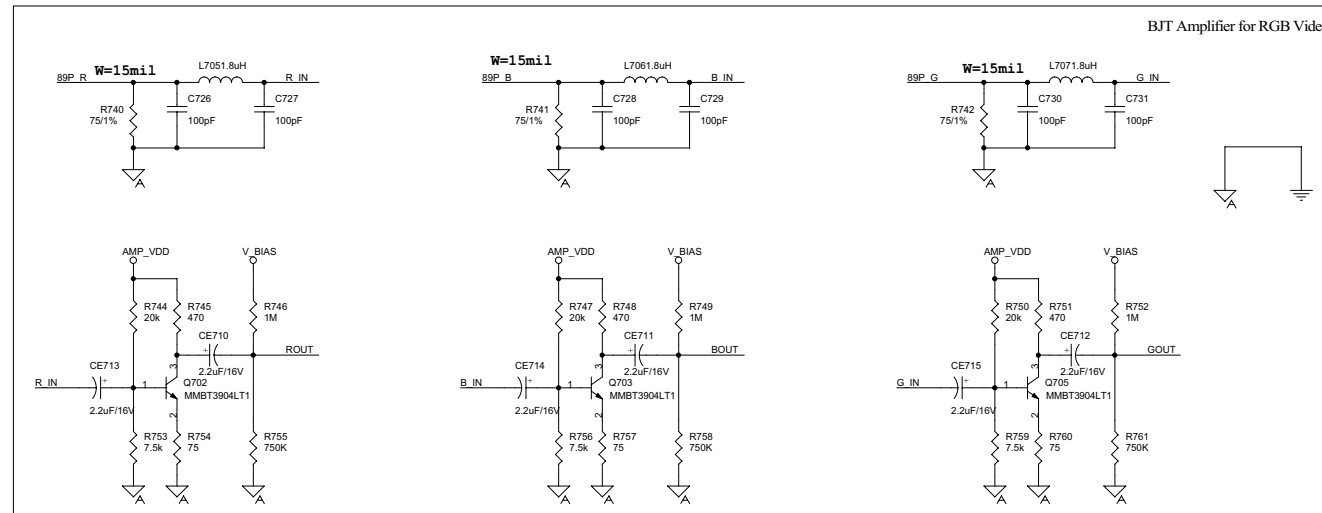
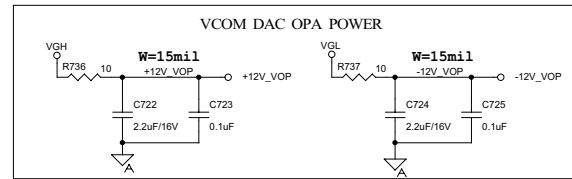
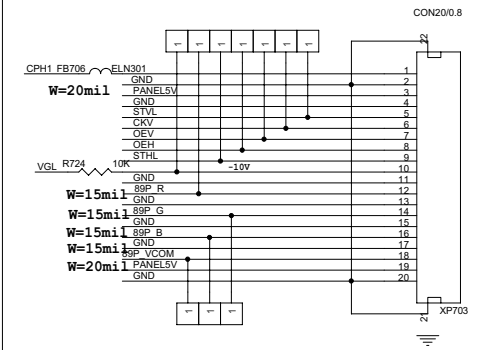
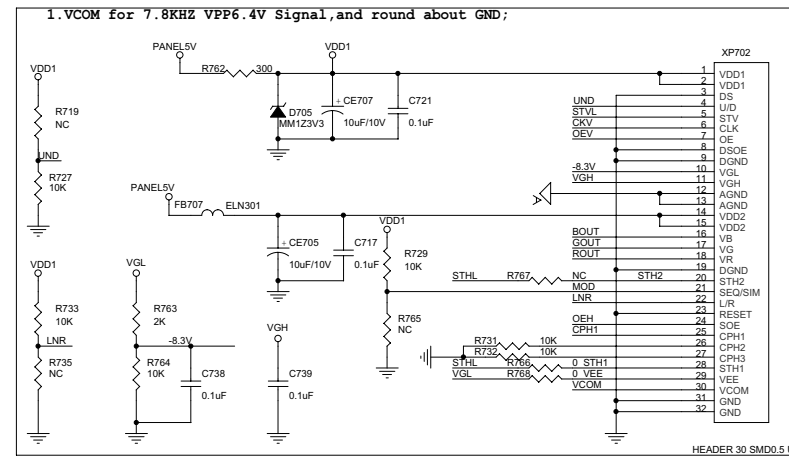


2	VSYS	VSYS
2,3.5	VDD5V	VDD5V
2,3.5	DV33	DV33
2,3.5	AMPVCC	AMPVCC
2	VSYS	VSYS
AUDIO INTERFACE		
OUT_EN	OUT_EN	3
ASPDIF	ASPDIF	3
CVBS	CVBS	3
VOLUME_PWM	VOLUME_PWM	3
IN_OUT	IN_OUT	3
CVBS_INP	CVBS_INP	3
AUDIO_IN1	AUDIO_IN1	3
AUDIO_IN2	AUDIO_IN2	3
VIDEO INTERFACE		
AOUT_L	AOUT_L	3
AOUT_R	AOUT_R	3
OPA_PW	OPA_PW	3
MUTE_DAC	MUTE_DAC	3
AUDIO INTERFACE		

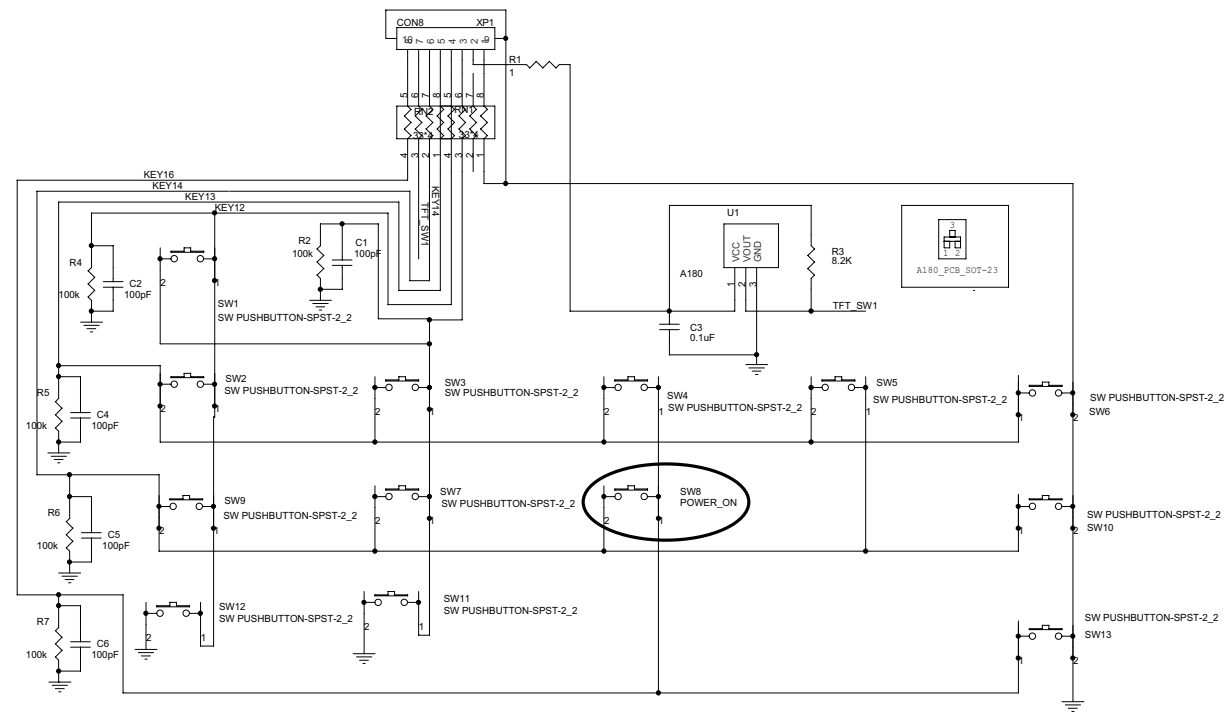
### TFT Board Electric Diagram



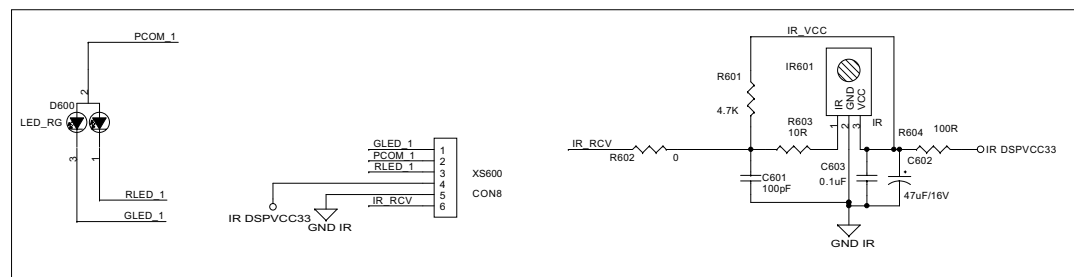
- NOTICE:**
- 1.CPH1 for 10MHZ Signal,and round about GND;
  - 2.ROUT/GOUT/BOUT for Video RGB signal,and round about GND;



# Key Board Electric Diagram

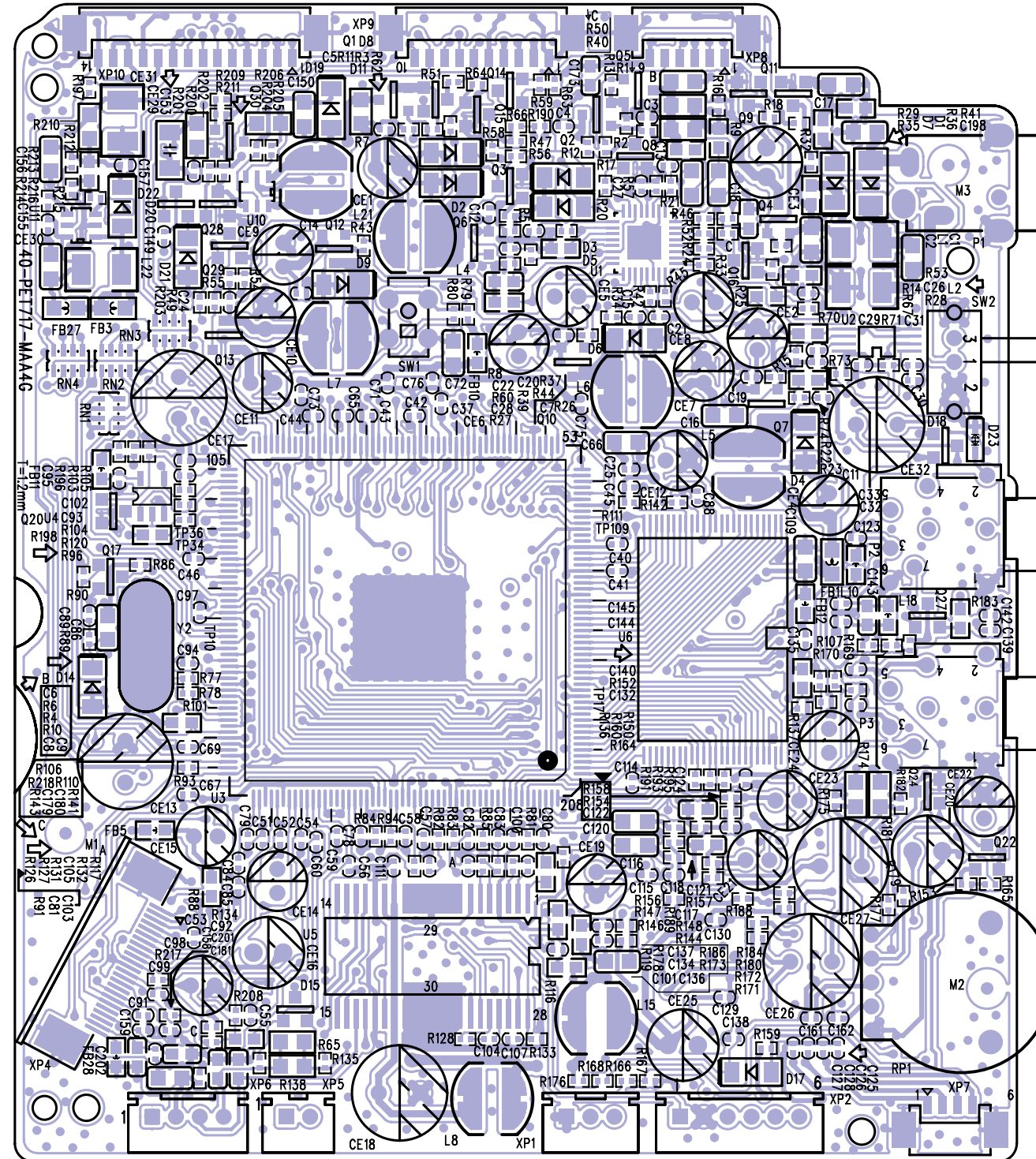


IR & LED display Board Electric Diagram:

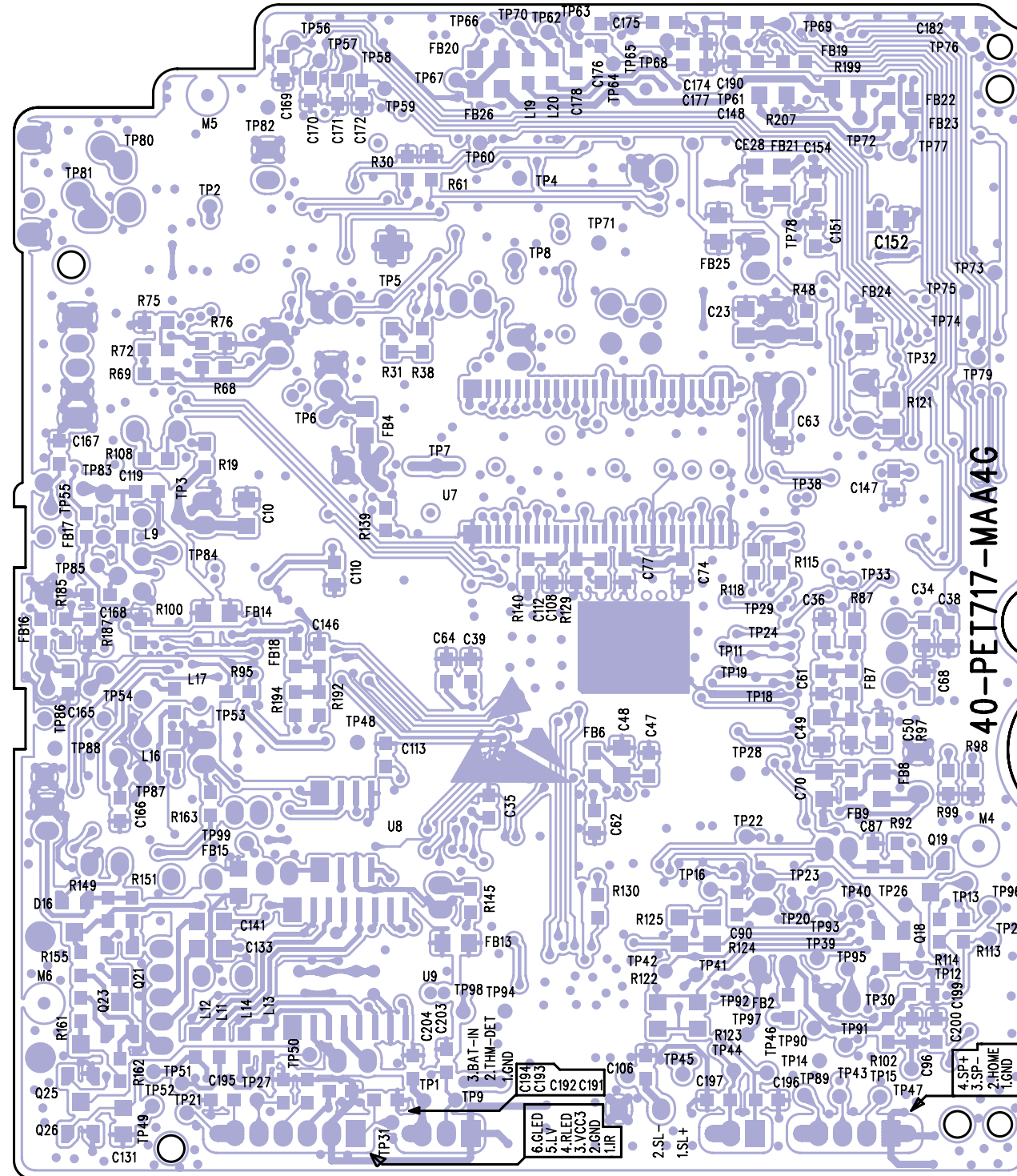




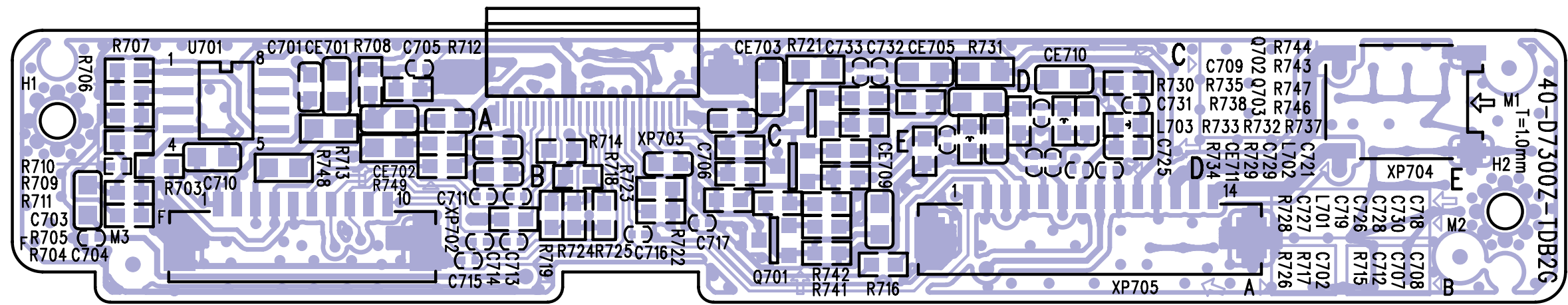
Main Board Print-Layout for PET717/93 (Top Side):



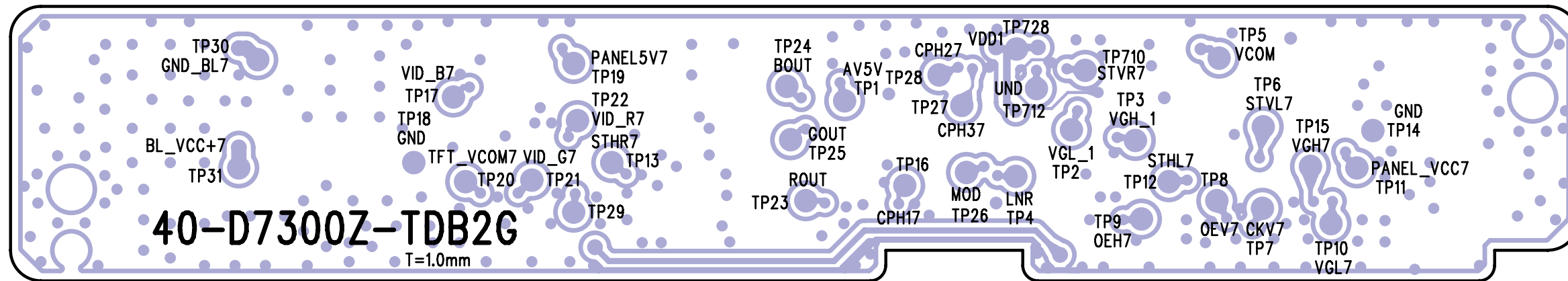
Main Board Print-Layout for PET717/93 (Bottom Side):



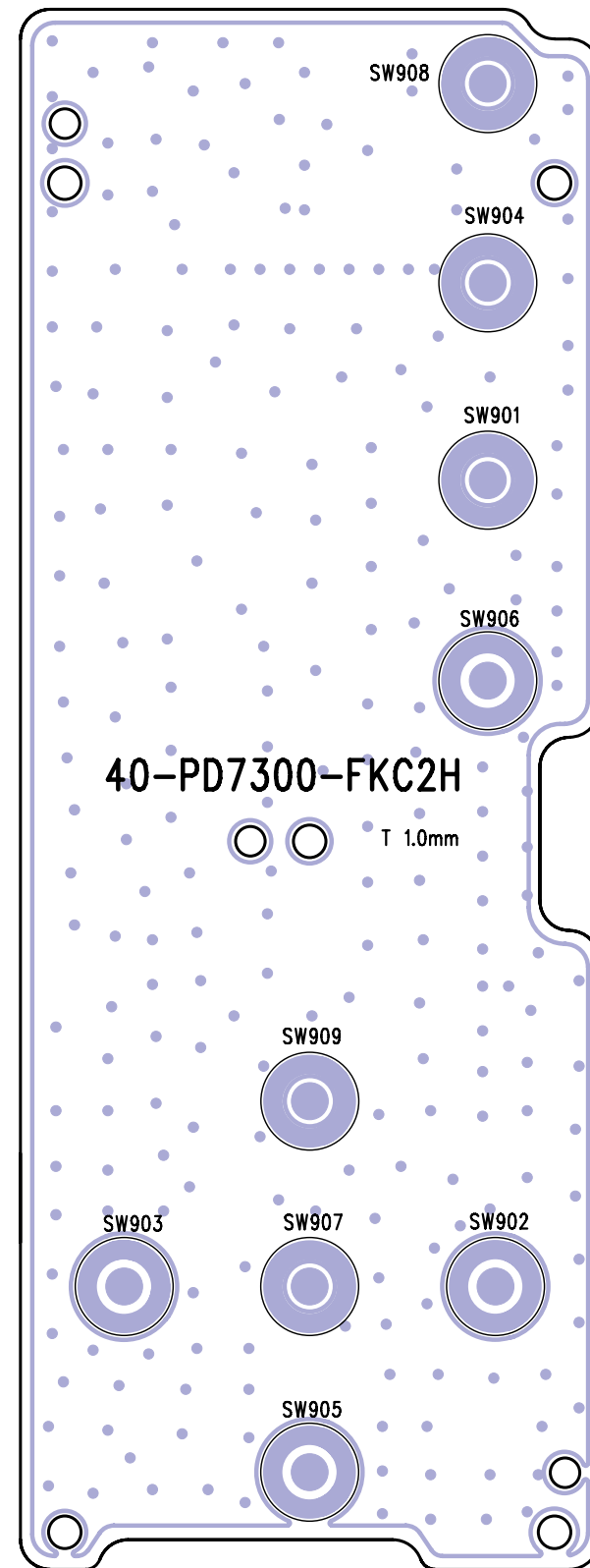
TFT Board Print-Layout for PET717/93 (Top Side):



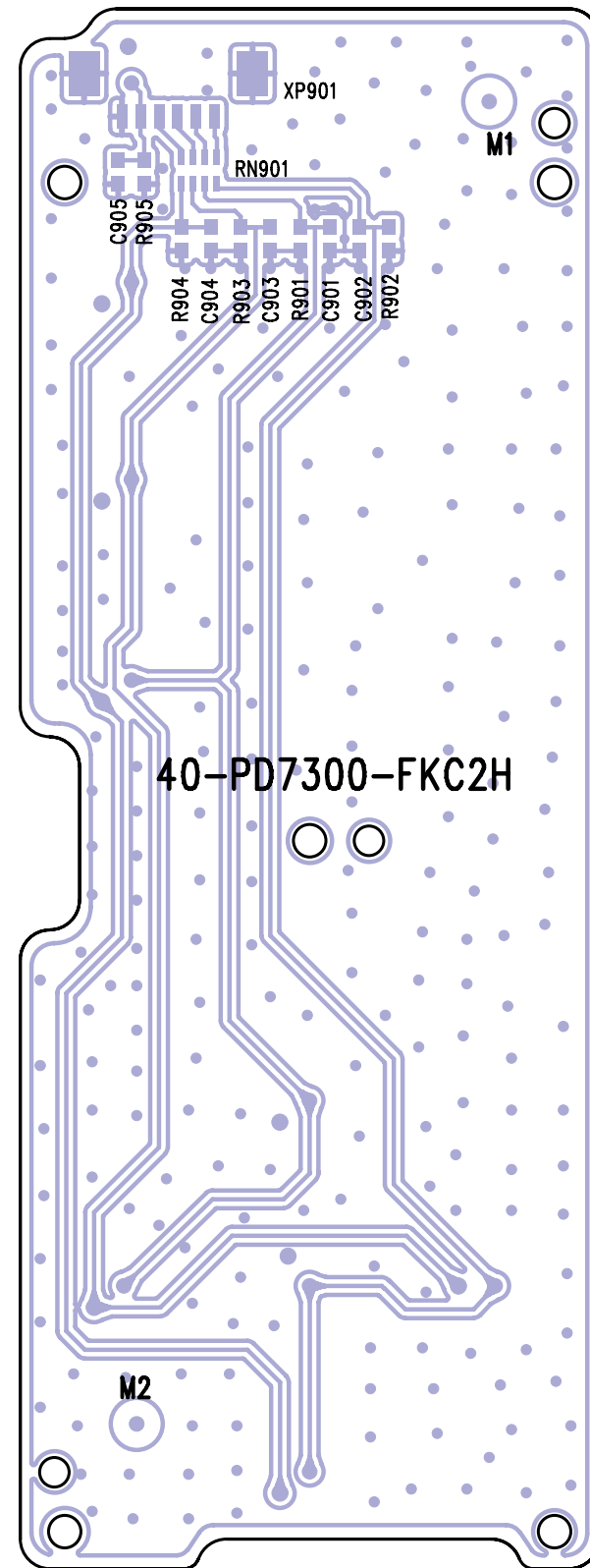
TFT Board Print-Layout for PET717/93 (Bottom Side):



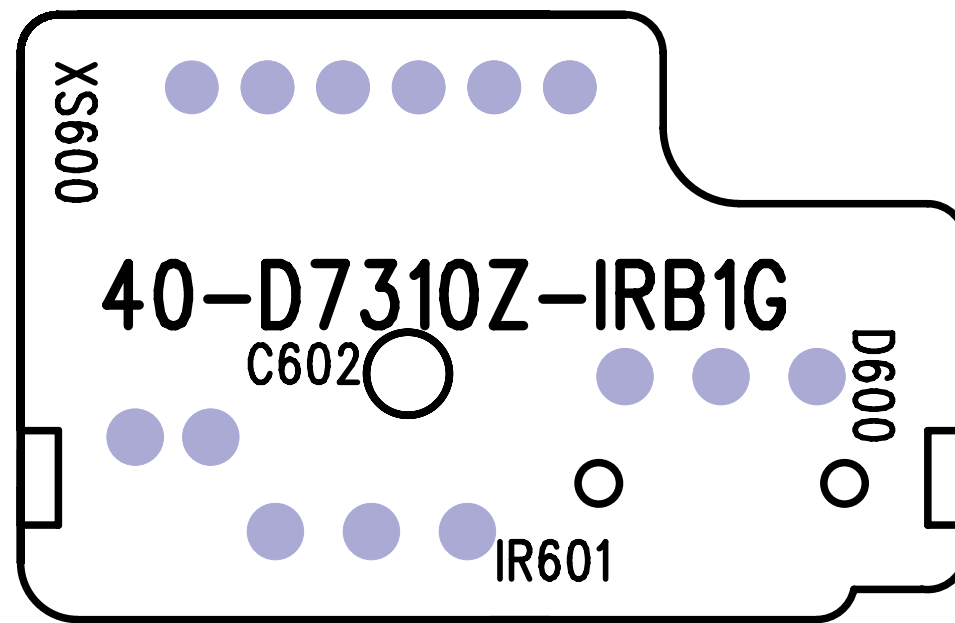
Key Board Print-Layout for PET717/93 (Top Side):



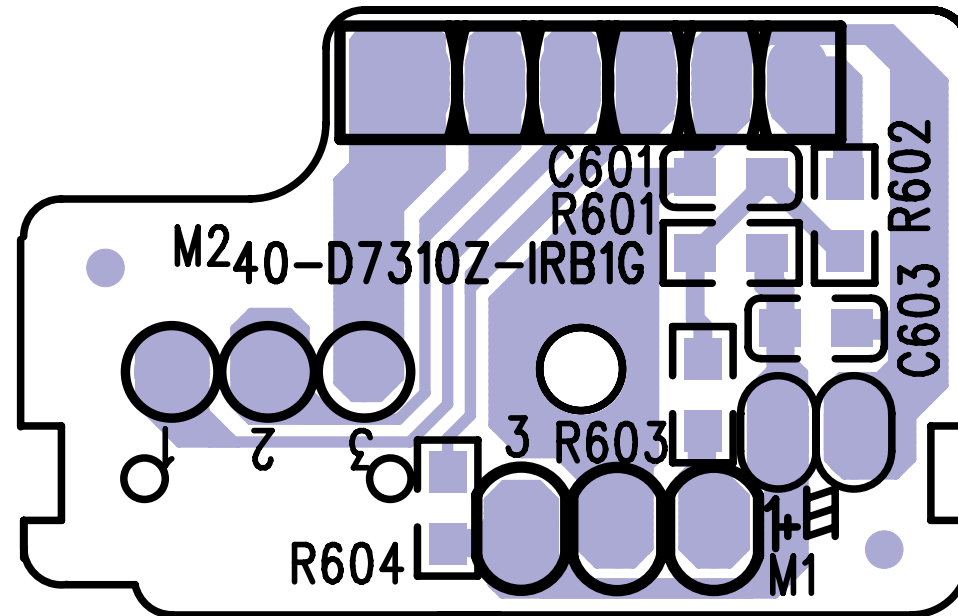
Key Board Print-Layout for PET717/93 (Bottom Side):



IR Board Print-Layout for PET717/93 (Top Side):

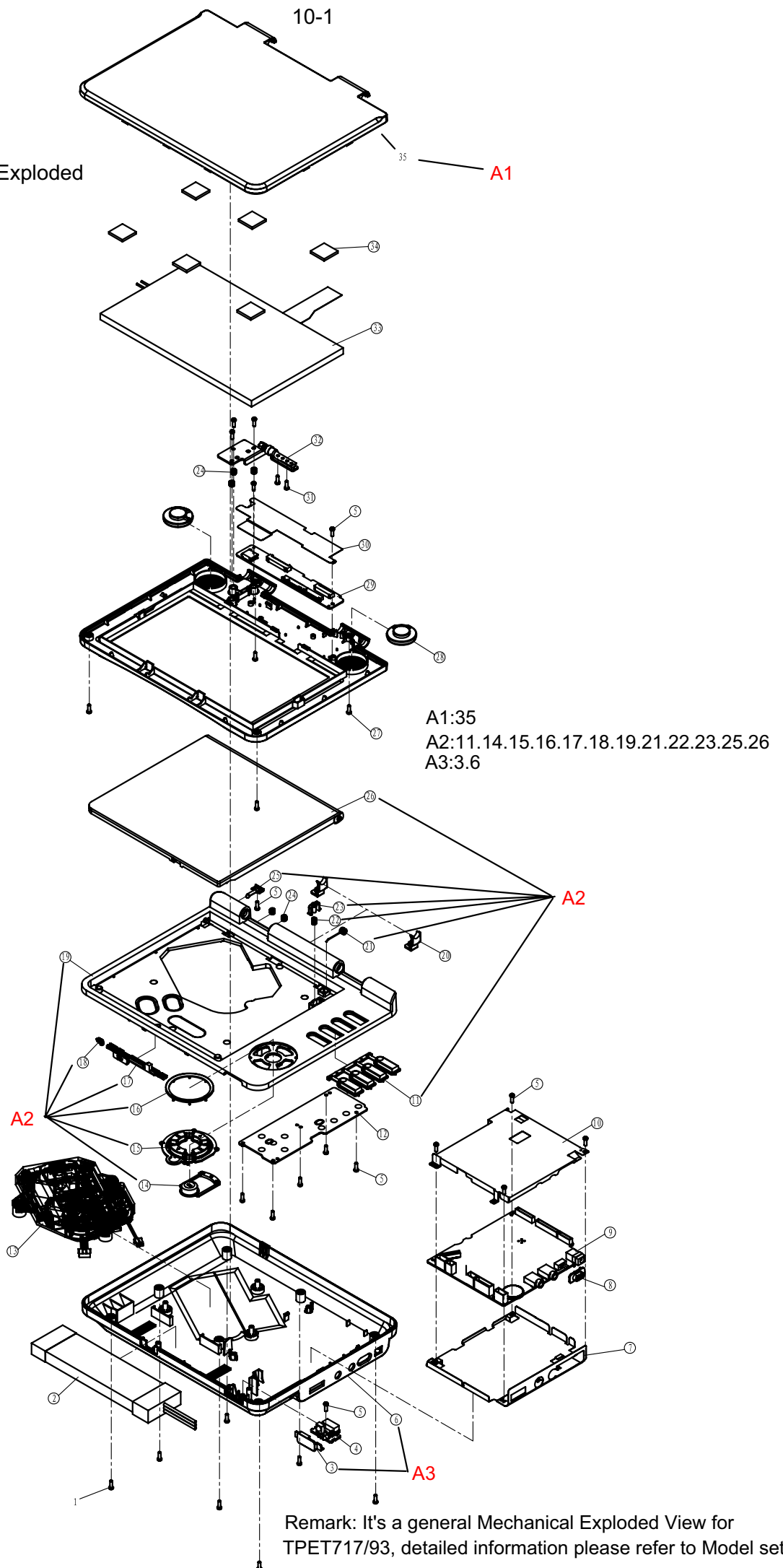


IR Board Print-Layout for PET717/93 (Bottom Side):





PET717/93 Mechanical Exploded



Remark: It's a general Mechanical Exploded View for TPET717/93, detailed information please refer to Model set.

**PARTS LIST: PET717/93**

No	SBOM Item no.	12NC No.	Part Name	Q'ty
⚠ 9	100	996510020035	<b>ASSY-MAIN BD</b>	1
29	110	996510020036	ASSY-TD BD	1
12	120	996510020038	ASSY-SW BD	1
4	130	996510020039	ASSY-IR BD	1
33	200	996510020037	26PIN LG-PHILIPS 7' TFT-LCD	1
⚠ 13	210	996510020040	<b>DVD LOADRE (DM-520A-015)</b>	1
28	220	996510020041	SPEAKER	2
⚠ 2	230	996510020042	<b>BATTERY (7.4V 1500mA)</b>	1
CABLE	240	996510020043	24PIN FFC 0.5MM L=135MM ATYPE	1
CABLE	250	996510020044	24PIN SOFT THREAD 1.25MM	1
CABLE	260	996510020045	4PIN SOFT THREP	1
CABLE	270	996510020046	6PIN	1
A1	300	996510020049	TFT-UPPER CASE MOUDLE	1
A2	310	996510020050	TFT-Mid CASE MOUDLE	1
A3	320	996510020051	BOTTOM MOUDLE	1
7	330	996510020052	SHIELD SLICE V1	1
8	340	996510020053	POWER BUTTON	1
10	350	996510020054	SHIELD SLICE V2	1
20	360	996510020055	COVER FOR HINGE	1
32	370	996510020056	AXIS OF ROTATION	1
⚠ Adpater	ACAPT	996510020048	POWER ADAPTER /93	1
CABLE	AVCABLE	996510018014	AUDIO/VIDEO CABLE	1
D-BOX	BOX	996510020047	DISPLAY BOX	1
<b>RC</b>	<b>RC</b>	<b>996510018015</b>	<b>REMOTE CONTROL</b>	<b>1</b>





**Screws List**

No	12NC No.	Description
1	—	S/T SCREW (Φ2.3*6.0mm)
5	—	S/T SCREW (Φ2.0*4.0mm)
24	—	copper nut (Φ4.0*4.0mm)
27	—	S/T SCREW (Φ2.0*6.0mm)
31	—	machine screw (Φ2.0*5.5mm)

**SAFETY PRECAUTION**

The parts identified by ⚠ mark are critical for safety. Replace only with part number specified. The mounting position of replacement is to be identical with originals. The substitute replacement parts which do not have the same safety characteristics as specified in the parts list may create shock, fire or other hazards.


**PARTS LIST: PET717/94**

No	12NC No.	Part Name	Q'ty
 2	<b>996510020042</b>	<b>BATTERY (7.4V 1500mA)</b>	<b>1</b>
4	996510020039	ASSY-IR BD	1
7	996510020052	SHIELD SLICE V1	1
8	996510020674	POWER BUTTON	1
 9	<b>996510020673</b>	<b>ASSY-MAIN BD</b>	<b>1</b>
10	996510020054	SHIELD SLICE V2	1
12	996510020038	ASSY-SW BD	1
13	996510020040	DVD LOADRE (DM-520A-015)	1
20	996510020055	COVER FOR HINGE	1
28	996510020676	SPEAKER(1W diameter 23mm 8OHM)	1
29	996510020678	ASSY-TD BD	1
32	996510020056	AXIS OF ROTATION	1
33	996510020679	26P HanStar 7" TFT LCD Glass Moudle	1
A1	996510020049	TFT-UPPER CASE MOUDLE	1
A2	996510020050	TFT-Mid CASE MOUDLE	1
 A3	<b>996510020677</b>	<b>BOTTOM MOUDLE</b>	<b>1</b>
 ADAPTER	<b>996510020675</b>	<b>POWER ADAPTER /94</b>	<b>1</b>
AVCABLE	996510018014	AUDIO/VIDEO CABLE	1
RC	996510018015	REMOTE CONTROL	1
WIRE1	996510020043	24PIN FFC 0.5MM L=135MM ATYPE	1
WIRE2	996510020044	24PIN SOFT THREAD 1.25MM	1
WIRE3	996510020045	4PIN SOFT THREP	1
WIRE4	996510020046	6PIN	1

**Screws List**

No	12NC No.	Description
1	—	S/T SCREW (Φ2.3*6.0mm)
5	—	S/T SCREW (Φ2.0*4.0mm)
24	—	copper nut (Φ4.0*4.0mm)
27	—	S/T SCREW (Φ2.0*6.0mm)
31	—	machine screw (Φ2.0*5.5mm)

**SAFETY PRECAUTION**

The parts identified by  mark are critical for safety. Replace only with part number specified.

The mounting position of replacement is to be identical with originals. The substitute replacement parts which do not have the same.

Version 1.0 (3141 785 33250)

- Initial release for PET717/93

Version 1.1 (3141 785 33251)

- Initial release for PET717/94